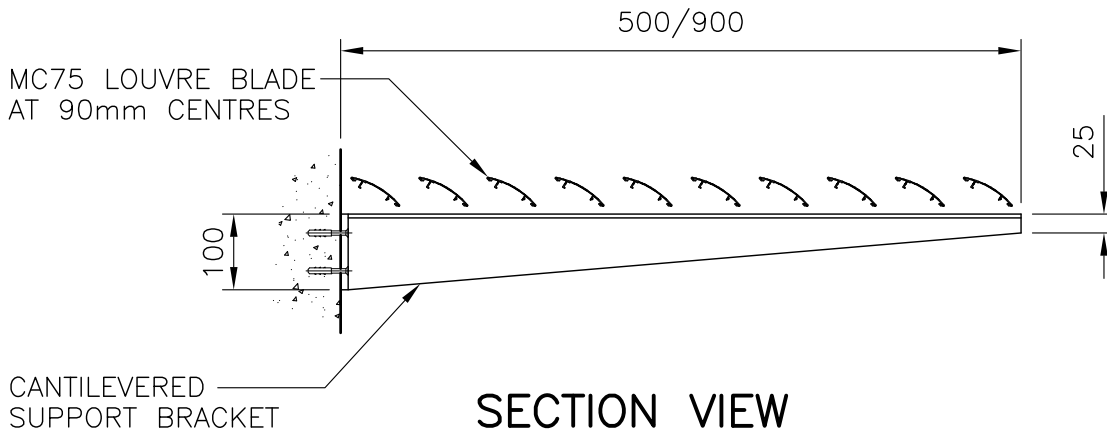
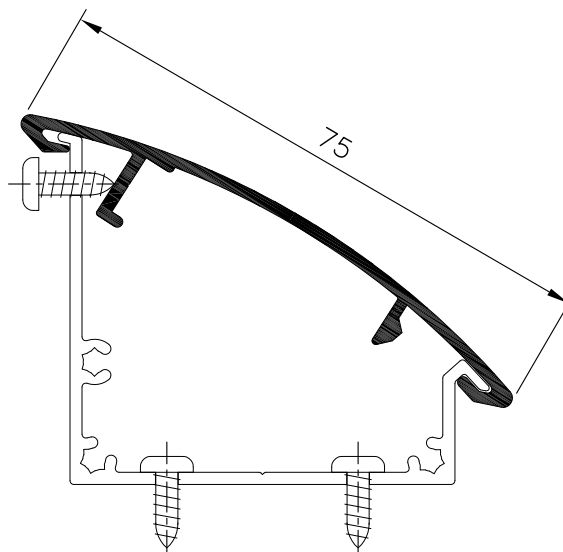


PLAN VIEW



SECTION VIEW



MC75 BLADE
(WITH MOUNTING BRACKET)

MC75F
CONTINUOUS LOUVRE
CANTILEVERED AWNING

www.maximlouvres.com.au

maxim
louvres

DWG No.: MC75-CANT.AWNING
DWG DATE: 14-09-2011