

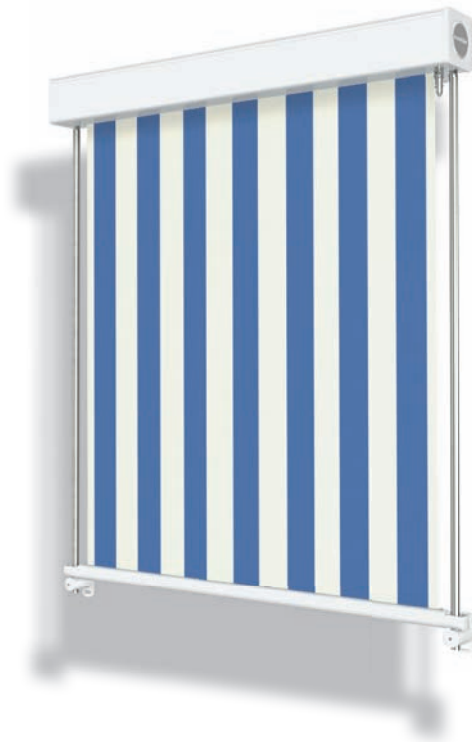


markilux 750 / 850

The vertical cassette blind with stainless steel guide rod - the elegant alternative to the conventional guide cable



markilux



rated to wind resistance class 2
(corresponds to Beaufort 5)

markilux 750 / 850

The vertical cassette blind with stainless steel guide rod - the elegant alternative to the conventional guide cable

Design features

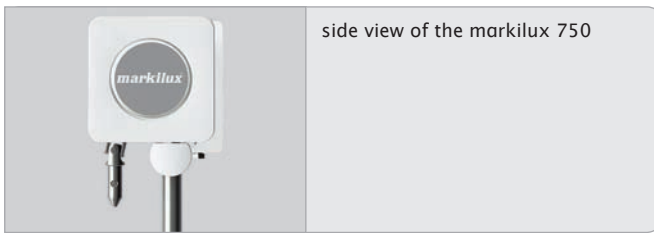
- vertical blind: complete protection from the sun and inquisitive glances
- markilux 750: compact, square and discreet, the cassette profile made of extruded aluminium is only 95 mm in height
- the cover is guided down stainless steel rods
- for long-lasting attractiveness the awning has been powder coated
- when retracted the cover is protected from the weather by the cassette, which encloses it completely

Technical highlights

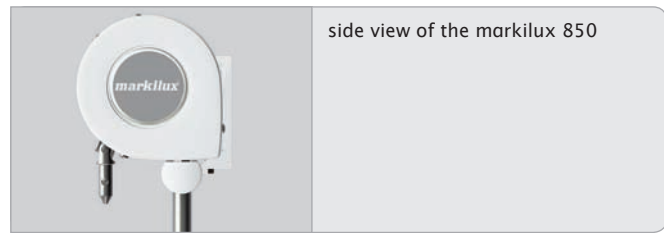
- robust, self-supporting cassette made of extruded aluminium
- operation by means of a smooth gearbox and universal joint
- also available as a coupled unit to span large widths
- extremely sturdy, stainless steel side cheek sheathed in plastic and powder coated
- one-piece covers made from widely woven, plain awning fabrics make it possible to do away with seams entirely

Additional features

- hard-wired motor operation (optionally with automatic weather controls) for straightforward and easy operation
- radio-controlled motor with radio remote control for ease of use
- an easily installed, radio control light and wind sensor guarantees comfort and a degree of safety - even in your absence
- handle for interior operation. for manual operation from inside the room



side view of the markilux 750



side view of the markilux 850



markilux 750



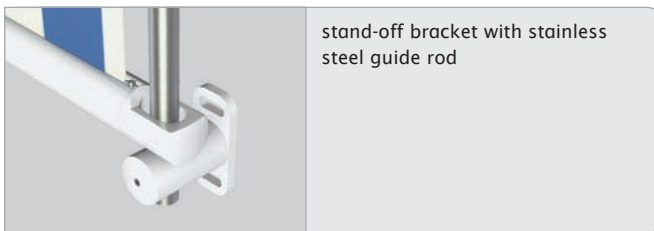
markilux 850



reveal fixture, square cassette, markilux 750



reveal fixture, round cassette, markilux 850



stand-off bracket with stainless steel guide rod

Standard specification

manual operation; handle with bayonet fitting

bonded awning cover

sunsilk snc fabric

sunsilk snc signature fabric

acrylic fabric 34

widely woven acrylic fabric

perfortex fabric

transolair fabric

Standard frame colours

traffic white - RAL 9016

metallic aluminium - RAL 9006

grey brown - similar to RAL 8019

Optional accessories

manual operation from inside the building

manual operation from the rear

hard-wired or radio-controlled motor with remote control

light and wind sensor

coupled units

non-standard powder-coated finish

Dimensions and configuration options

unit height	blind width																	minimum width		
	75	100	125	150	175	200	225	250	275	300	325	350	375	400	425	450	475	500	hard-wired motor	radio-controlled motor
120																			77.5	76.5
160																				
200																				
250																				
300																				
350																				

dimensions in cm

- = available, 2 brackets per cassette
- = available, 3 brackets per cassette

Operation	
manual operation; handle with bayonet fitting	●
manual operation from inside the building	○
manual operation from the rear	○
hard-wired motor	○
radio-controlled motor	○*
Covers	
sunsilk snc (fabric series 324xx/329xx)	● ¹
sunsilk snc signature (fabric series 369xx)	● ¹
acrylic 34 (fabric series 341xx-347xx)	● ²
widely woven acrylic (fabric series 349xx)	● ³
sunsilk perla FR (fabric series 374xx/379xx)	○ ⁴
perfortex (fabric series 333xx)	● ²
transolair (fabric series 339xx)	● ⁵
Soltis 92	○ ⁶
Miscellaneous	
light and wind sensor	○
cover profiles for gap between tracks and cover	-
wedge-in accro bars	-
markilux PVC windows	-
Coupled units	
coupled unit, 2 fields	○
coupled unit, 3 fields	-

- = standard specification
- = optional accessories
- = not available
- * = radio-controlled motor using 433 MHz technology
- ¹ = in the case of the markilux 750 the maximum unit height is 300 cm
- ² = in the case of the markilux 750 the maximum unit height is 250 cm
- ³ = from an overall width of 332 cm and a unit height of 316 cm with horizontal seam
- ⁴ = in the case of the markilux 750 the maximum unit height is 250 cm
- ⁵ = cover seamless, from an awning width of 264 cm and a unit height of 248 cm with horizontal seam.
- ⁶ = cover seamless, from an awning width of 189 cm and a unit height of 173 cm with horizontal seam.

Housing tolerances / Awning cover dimensions	Width	unit height
housing tolerance	+5 / -10	
awning cover width = width less	110	
blind cover length = unit height		±0

dimensions in mm

The width of the awning cover is always less than the width of the awning. Coupled units on request.

Standard manual operation with bayonet fitting and universal joint made of stainless steel is operated from outside the building (winding handle lengths 110, 140, 160, 180 or 220 cm).

Manual interior operation with universal joint: This operation type requires exact fixture, usually means high (labour) costs for the end consumer and can only be employed on single units. We therefore recommend the use of a radio-controlled motor.

Manual operation using a universal joint and from the rear: This operation type should be used in installations when the system can be approached from the rear (e.g. on balconies).

In the case of manual operation it takes approximately 24 turns per metre of overall unit height to extend the system.

Extension when using a motor takes approximately 15 seconds per metre.





N.B.! If the motor is used continuously it will stop automatically after 3 to 4 minutes to prevent overheating.

In the case of a **bank of awnings operating simultaneously**, the same speed of rotation of the motors cannot be guaranteed because of the internal tolerances of the motors.

If a **number of blinds** are to be installed next to one another the distance between the end cheeks must be at least 18 mm in the case of the markilux 750 and 22 mm in the case of the markilux 850

Coupled units are only available with motor (surcharge)

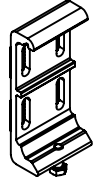
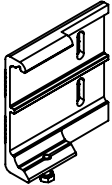
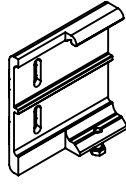
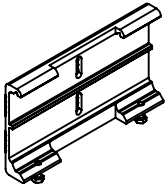
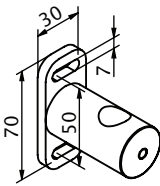
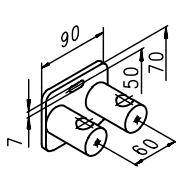
Maximum width of coupled units: 2 x 500 cm

Frame colours		
traffic white - RAL 9016		●
metallic aluminium - RAL 9006		●
grey brown - similar to RAL 8019		●
non-standard powder-coated finish		○

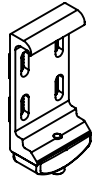
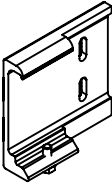
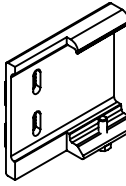
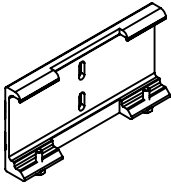
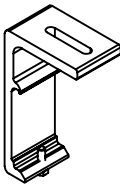
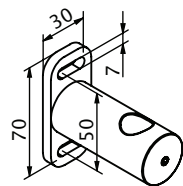
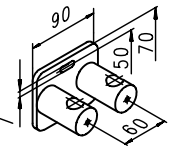
* Colours similar to the RAL chart - these may differ slightly from those depicted in both hue and finish.

Fixtures, fittings and accessories

markilux 750

 <p>Universal bracket assembly</p> <p>50 mm</p> <p>78758.</p>	 <p>Universal bracket assembly with fishplate for lateral fixture</p> <p>right</p> <p>N.B! Not for the operation side: - interior operation - operation from the rear</p> <p>78916.</p>	 <p>Universal bracket assembly with fishplate for lateral fixture</p> <p>left</p> <p>N.B! Not for the operation side: - interior operation - operation from the rear</p> <p>78917.</p>
 <p>Universal bracket assembly for central fixture coupled unit</p> <p>78919.</p>	 <p>Stand-off guide rod bracket assembly</p> <p>79359.</p>	 <p>Stand-off guide rod bracket assembly</p> <p>coupled unit</p> <p>79374.</p>

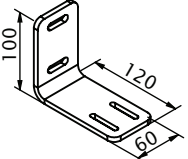
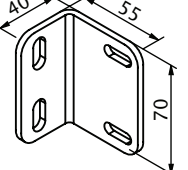
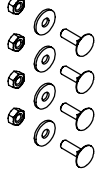
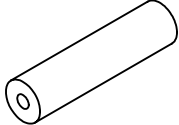
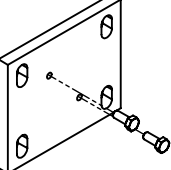
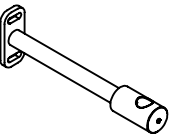
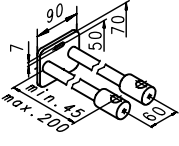
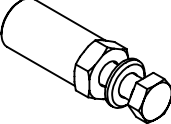
markilux 850

 <p>Face fixture bracket assembly</p> <p>50 mm</p> <p>78726.</p>	 <p>Universal bracket assembly with fishplate for lateral fixture</p> <p>right</p> <p>N.B! Not for the operation side: - interior operation - operation from the rear</p> <p>78746.</p>	 <p>Universal bracket assembly with fishplate for lateral fixture</p> <p>left</p> <p>N.B! Not for the operation side: - interior operation - operation from the rear</p> <p>78747.</p>
 <p>Universal bracket assembly for central fixture coupled unit</p> <p>78744.</p>	 <p>Top fixture bracket assembly</p> <p>50 mm</p> <p>78558.</p>	 <p>Stand-off guide rod bracket assembly</p> <p>79100.</p>
 <p>Stand-off guide rod bracket assembly</p> <p>coupled unit</p> <p>79462.</p>		

. = Please insert the RAL No. (please refer to the section on "Coatings")

Fixtures, fittings and accessories

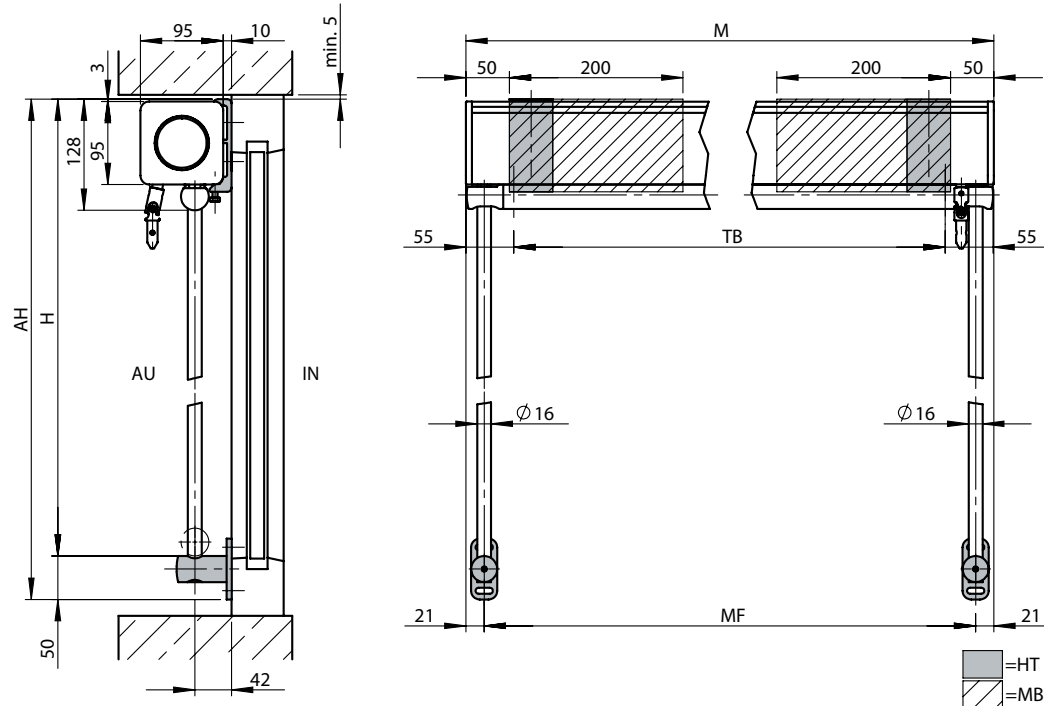
markilux 750 / 850

 <p>Additional angle for reveal fixture</p> <p>120 x 100 x 60 mm</p> <p>please order additional accessories 792931!</p> <p>77220.</p>	 <p>Reveal angle bracket for spacer bracket</p> <p>40 x 55 x 70 mm</p> <p>please order additional accessories 792931!</p> <p>75044.</p>	 <p>Accessories for two angle brackets 77220. or 75044.</p> <p>792931</p>
 <p>Stand-off fixing tube</p> <p>30 x 10 x 1000 mm</p> <p>N.B.!</p> <p>stack to a max. of 120 mm</p> <p>701668</p>	 <p>Spreader plate assembly for face-/universal bracket</p> <p>100 x 120 x 10 mm</p> <p>78982.</p>	 <p>Extended stand-off guide rod bracket assembly</p> <p>200 mm</p> <p>79112.</p>
 <p>Extended stand-off guide rod bracket assembly</p> <p>coupled units</p> <p>79375.</p>	 <p>Reducing bolt assembly M 10 - M 6 / SW 13</p> <p>30 mm length</p> <p>(please refer to the section "Technical Information")</p> <p>753211</p>	

. = Please insert the RAL No. (please refer to the section on "Coatings")

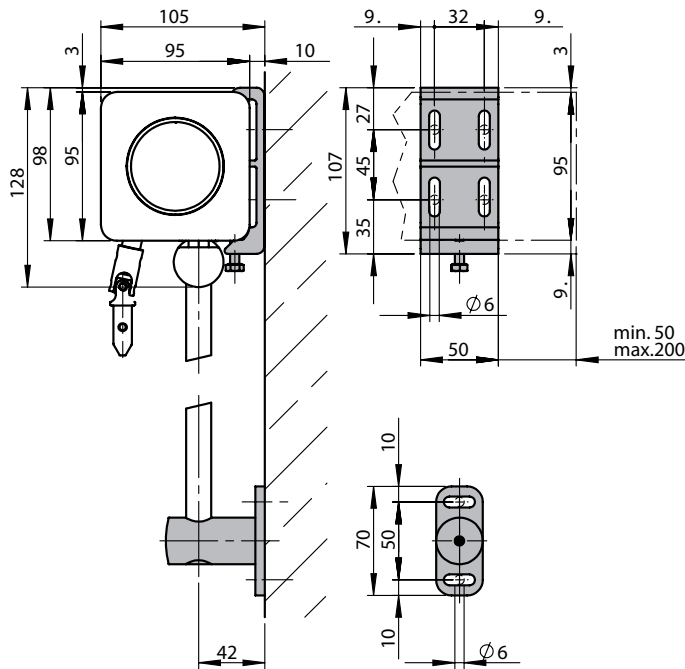
How to install the markilux 750

Dimension overview

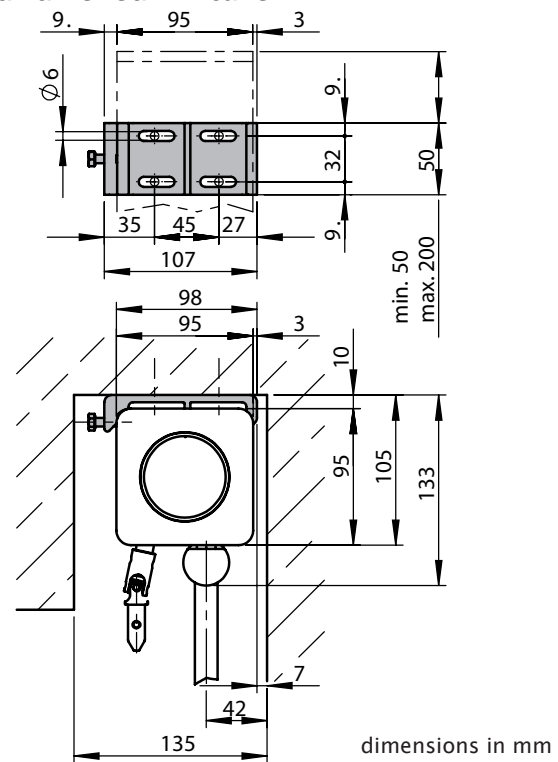


dimensions in mm

Face fixture



Top and reveal fixture

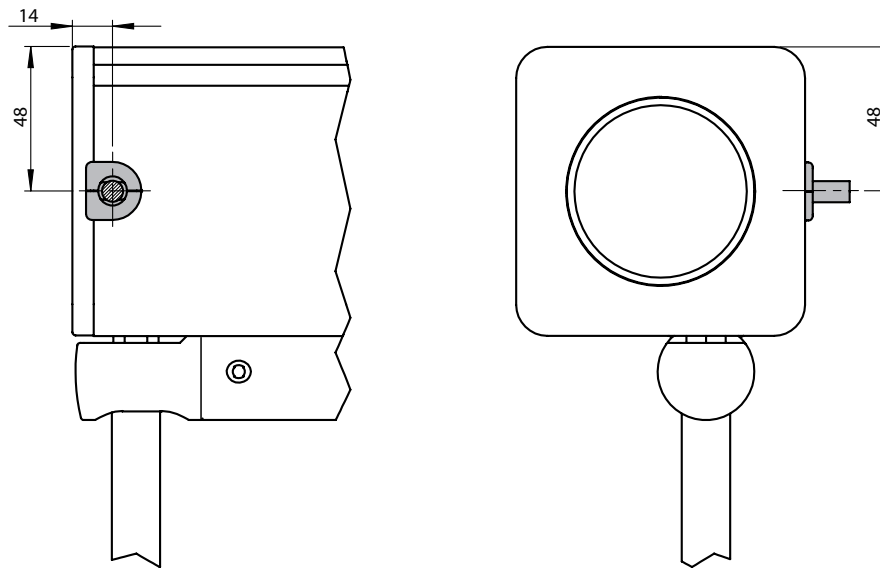


dimensions in mm

- AH = unit height
- H = drop
- AU = exterior
- IN = interior
- MB = bracket fixture range
- M = overall awning width
- HT = bracket
- TB = cover width
- MF = centre of the stainless steel guide rod, fixture width

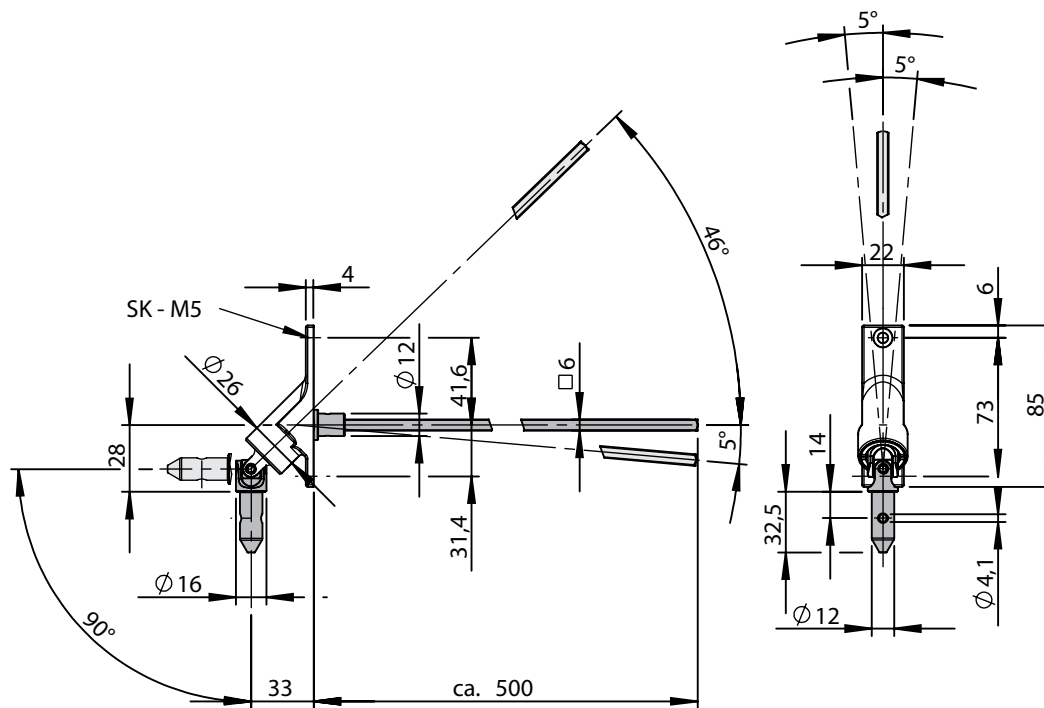
How to install the markilux 750

Cable exit point in the case of motor-driven units



dimensions in mm

Winding handle for interior operation \varnothing 16 mm up to a vertical angle of 90° and a horizontal angle of 5°

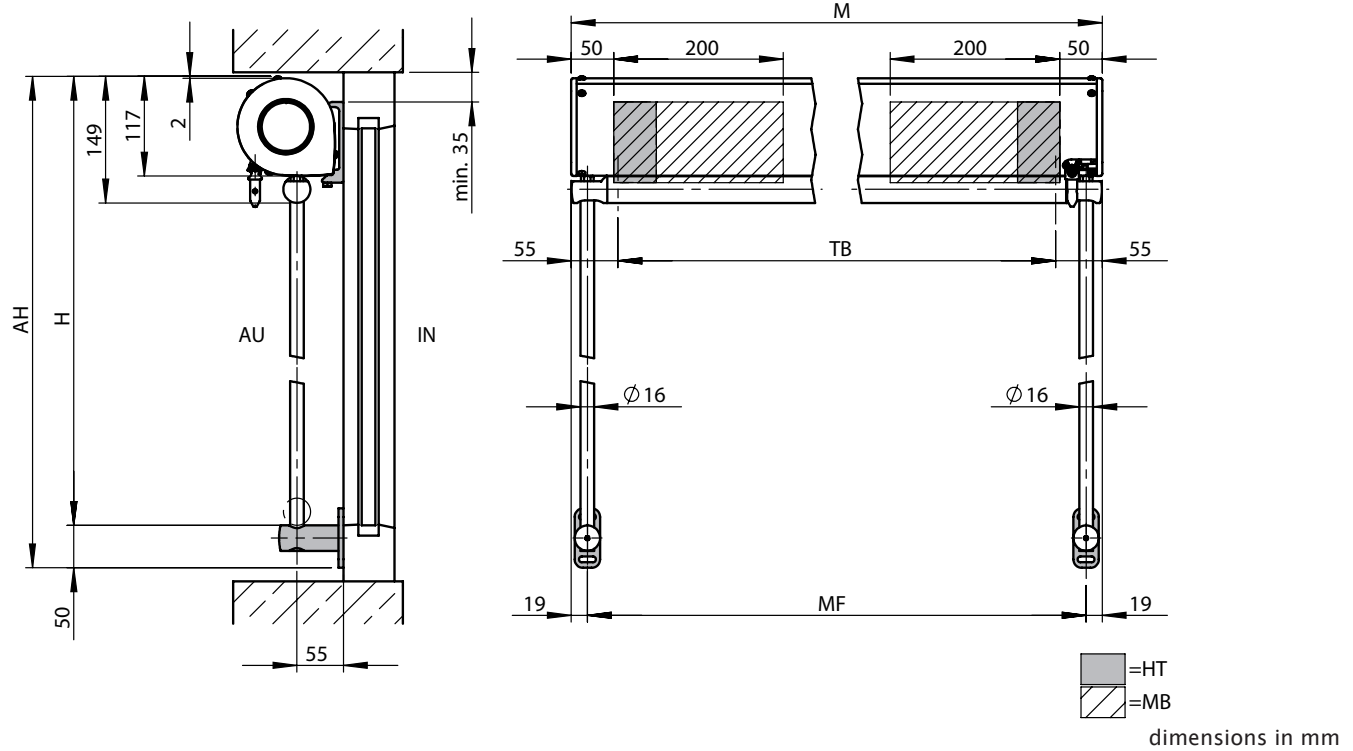


dimensions in mm

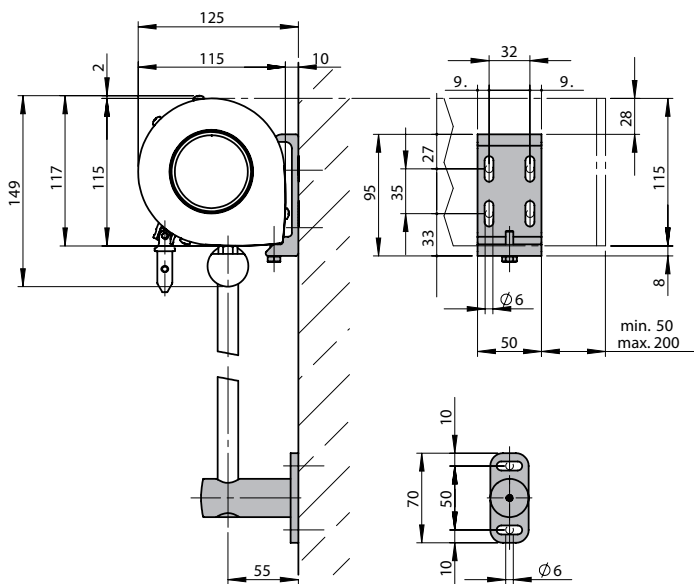
SK = chase out depth

How to install the markilux 850

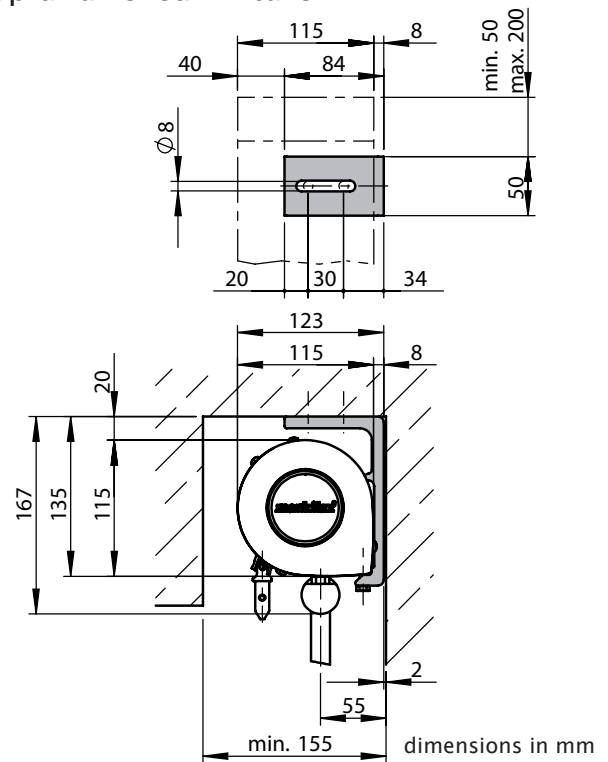
Dimension overview



Face fixture



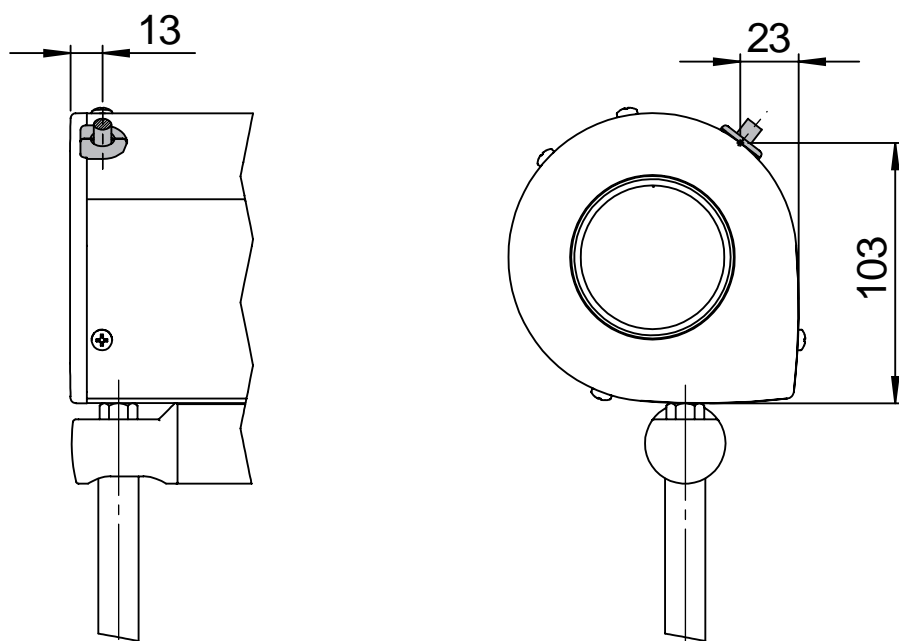
Top and reveal fixture



- AH = unit height
- H = drop
- AU = exterior
- IN = interior
- MB = bracket fixture range
- M = overall awning width
- HT = bracket
- TB = cover width
- MF = centre of the stainless steel guide rod, fixture width

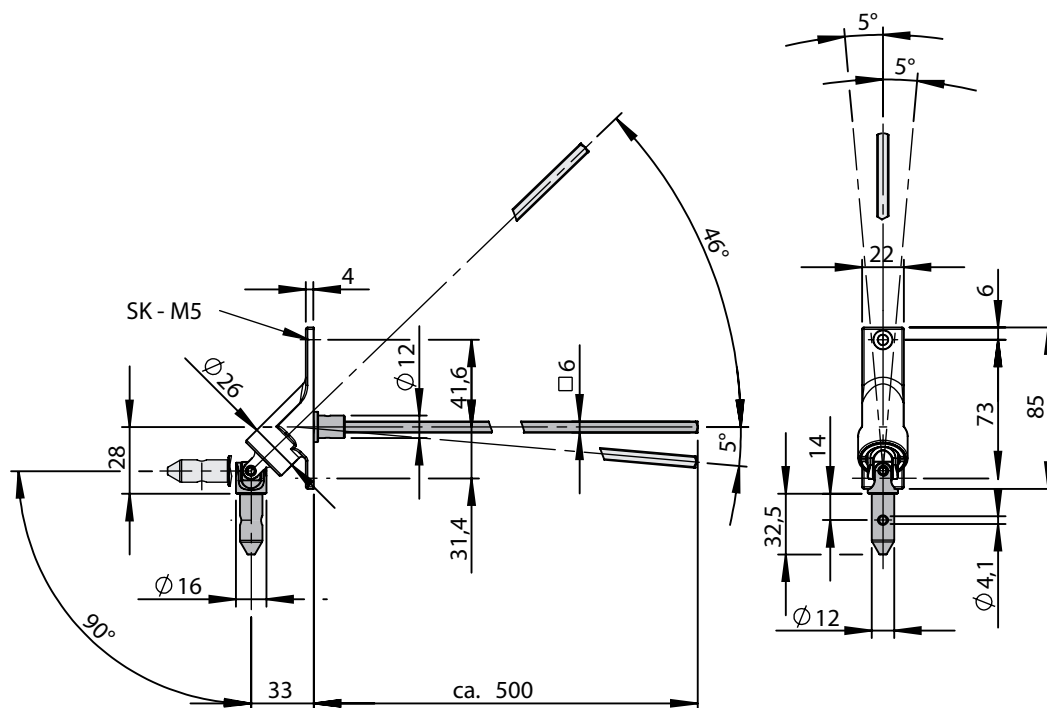
How to install the markilux 850

Cable exit point in the case of motor-driven units



dimensions in mm

Winding handle for interior operation \varnothing 16 mm up to a vertical angle of 90° and a horizontal angle of 5°



dimensions in mm

SK = chase out depth