



markilux 740 / 840

The marquisolette in a cassette with guide rails using innovative arm technology and gas pistons - the ideal combination: half vertical, half drop-arm awning, supremely functional



markilux



rated to wind resistance class 2
(corresponds to Beaufort 5)

markilux 740 / 840

The marquisolette in a cassette with guide rails using innovative arm technology and gas pistons - the ideal combination: half vertical, half drop-arm awning, supremely functional

Design features

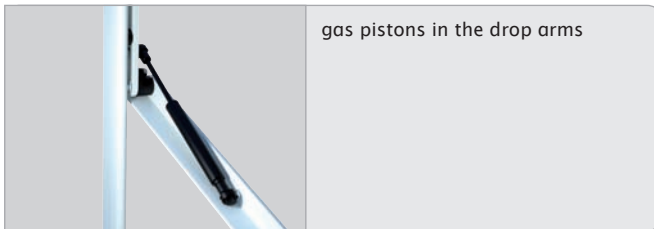
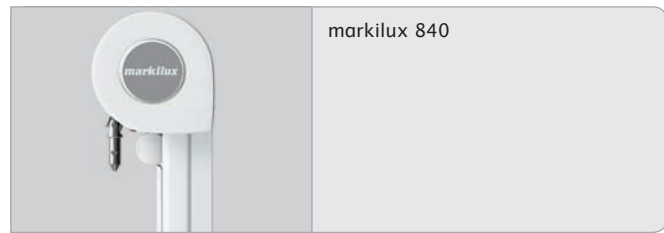
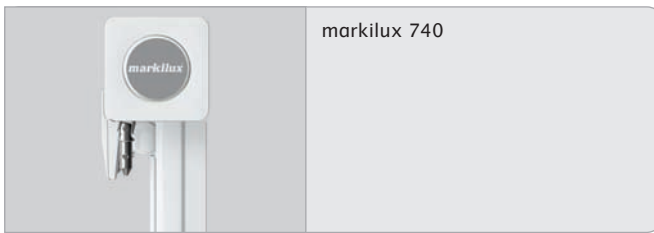
- markilux 740: compact, square and discreet, the cassette profile made of extruded aluminium is only 95 mm in height
- when retracted the cover is protected from the weather by the cassette, which encloses it completely
- an additional cassette profile gives a cleaner appearance and reduces the amount of mechanics visible
- for long-lasting attractiveness the awning has been powder coated
- one-piece covers made from widely woven, plain awning fabrics make it possible to do away with seams entirely

Technical highlights

- robust, self-supporting cassette made of extruded aluminium
- extremely sturdy, stainless steel side cheek, sheathed in plastic and powder coated
- operation by means of a smooth gearbox and universal joint
- an automatic locking device in the guide rails prevents the arm mechanism from lifting in windy conditions
- gas pistons in the arms ensure that the cover stays taut
- also available as a coupled unit to span large widths

Additional features

- hard-wired motor operation (optionally with automatic weather controls) for straightforward and easy operation
- radio-controlled motor with radio remote control for ease of use
- an easily installed, radio control light and wind sensor guarantees comfort and a degree of safety - even in your absence



Standard specification

manual operation; handle with bayonet fitting

bonded awning cover

sunsilk snc fabric

sunsilk snc signature fabric

acrylic fabric 34

widely woven acrylic fabric

perfortex fabric

transolair fabric

Standard frame colours

traffic white - RAL 9016

metallic aluminium - RAL 9006

grey brown - similar to RAL 8019

Optional accessories

manual operation from inside the building

manual operation from the rear

hard-wired or radio-controlled motor with remote control


light and wind sensor

coupled units

non-standard powder-coated finish

Dimensions and configuration options

unit height	blind width										minimum width	
	75	100	125	150	175	200	225	250	275	300	hard-wired motor	radio-controlled motor
100											74.5	73.5
120												
140												
160												
180												
200												
200												
240												
260												
280												
300												

 = available

dimensions in cm

Operation	
manual operation; handle with bayonet fitting	●
manual operation from inside the building	○
manual operation from the rear	○
hard-wired motor	○
radio-controlled motor	○*
Covers	
sun silk snc (fabric series 324xx/329xx)	● ¹
sun silk snc signature (fabric series 369xx)	● ¹
acrylic 34 (fabric series 341xx-347xx)	● ²
widely woven acrylic (fabric series 349xx)	●
sun silk perla FR (fabric series 374xx/379xx)	○ ³
perfortex (fabric series 333xx)	● ²
transolair (fabric series 339xx)	● ⁴
Soltis 92	○ ⁵
Miscellaneous	
light and wind sensor	○
cover profiles for gap between rails and cover	-
wedge-in accro bars	-
markilux PVC windows	-
Coupled units	
coupled unit, 2 fields	○
coupled unit, 3 fields	-

- = standard specification
- = optional accessories
- = not available
- * = radio-controlled motor using 433 MHz technology
- ¹ = in the case of the markilux 740 the maximum unit height is 300 cm
- ² = in the case of the markilux 740 the maximum unit height is 250 cm
- ³ = in the case of the markilux 740 the maximum unit height is 250 cm
- ⁴ = cover seamless, from an awning width of 262 cm and a unit height of 228 cm with horizontal seam
- ⁵ = cover seamless, from an awning width of 187 cm and a unit height of 153 cm with horizontal seam

Housing tolerances / Awning cover dimensions	Width	drop
housing tolerance	+5 / -10	
awning cover width = width less	90* motor operation	
	110 manual operation	
marquiselette cover length = unit height plus		200

* is similarly valid in the case of manual operation or if operated from the rear
dimensions in mm

The width of the awning cover is always **less** than the width of the awning. Coupled units on request.

Standard manual operation with bayonet fitting and universal joint made of stainless steel is operated from outside the building (winding handle lengths 110, 140, 160, 180 or 220 cm).

Manual interior operation with universal joint: This operation type requires exact fixture, usually means high (labour) costs for the end consumer and can only be employed on single units. We therefore recommend the use of a radio-controlled motor.

Manual operation using a universal joint and from the rear: This operation type should be used in installations when the system can be approached from the rear (e.g. on balconies).

In the case of manual operation it takes approximately 24 turns per metre of overall unit height to extend the system.





In the case of motor operation the awning will take approx. 15 seconds per metre to extend.

N.B.! If the motor is used continuously it will stop automatically after 3 to 4 minutes to prevent overheating.

In the case of a **bank of awnings operating simultaneously**, the same speed of rotation of the motors cannot be guaranteed because of the internal tolerances of the motors.

Coupled units are only available with motor (surcharge)

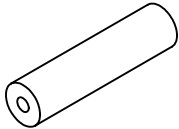
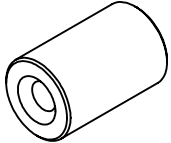
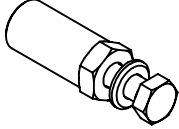
Maximum width of coupled units: 2 x 250 cm

Frame colours		
traffic white - RAL 9016		●
metallic aluminium - RAL 9006		●
grey brown - similar to RAL 8019		●
non-standard powder-coated finish		○

* Colours similar to the RAL chart - these may differ slightly from those depicted in both hue and finish.

Fixtures, fittings and accessories

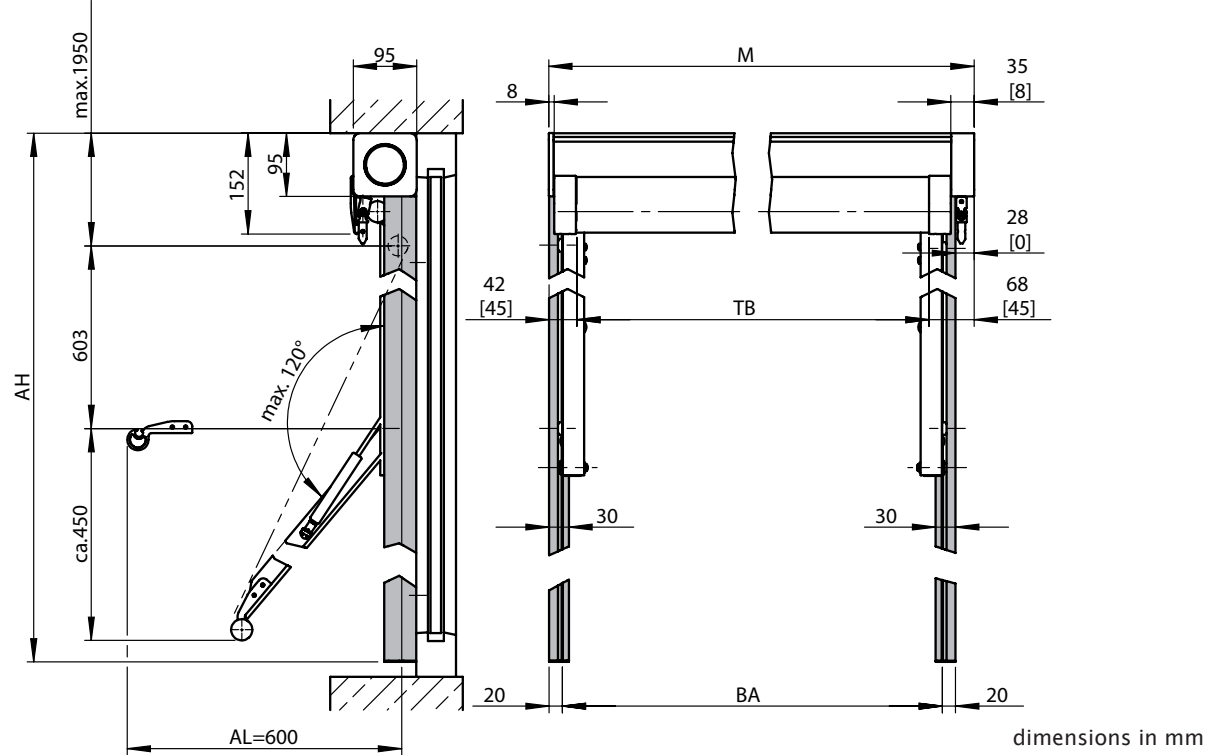
markilux 740/840

 <p>Stand-off fixing tube</p> <p>30 x 10 x 1000 mm</p> <p>N.B! max. stand-off distance 120 mm</p> <p>701668</p>	 <p>Stand-off piece for reveal fixture</p> <p>18 x 5.75 x 28 mm</p> <p>78643.</p>	 <p>Reducing bolt assembly M 10 - M 6 / SW 13</p> <p>30 mm length (please refer to the section "Technical Information")</p> <p>753211</p>
--	--	--

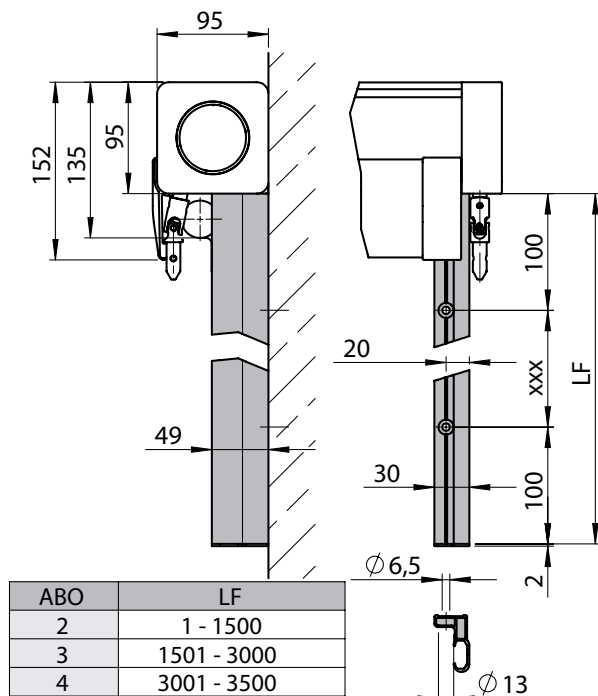
. = Please insert the RAL No. (please refer to the section on "Coatings")

How to install the markilux 740

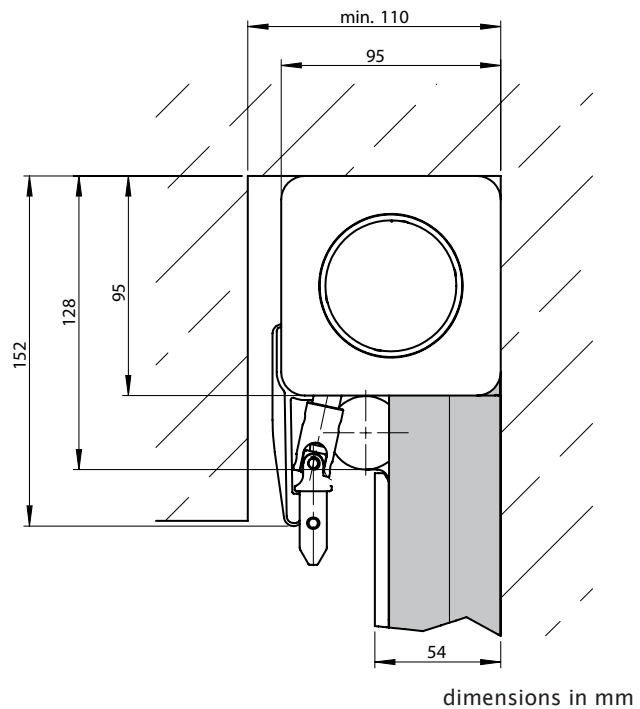
Dimension overview



Face fixture



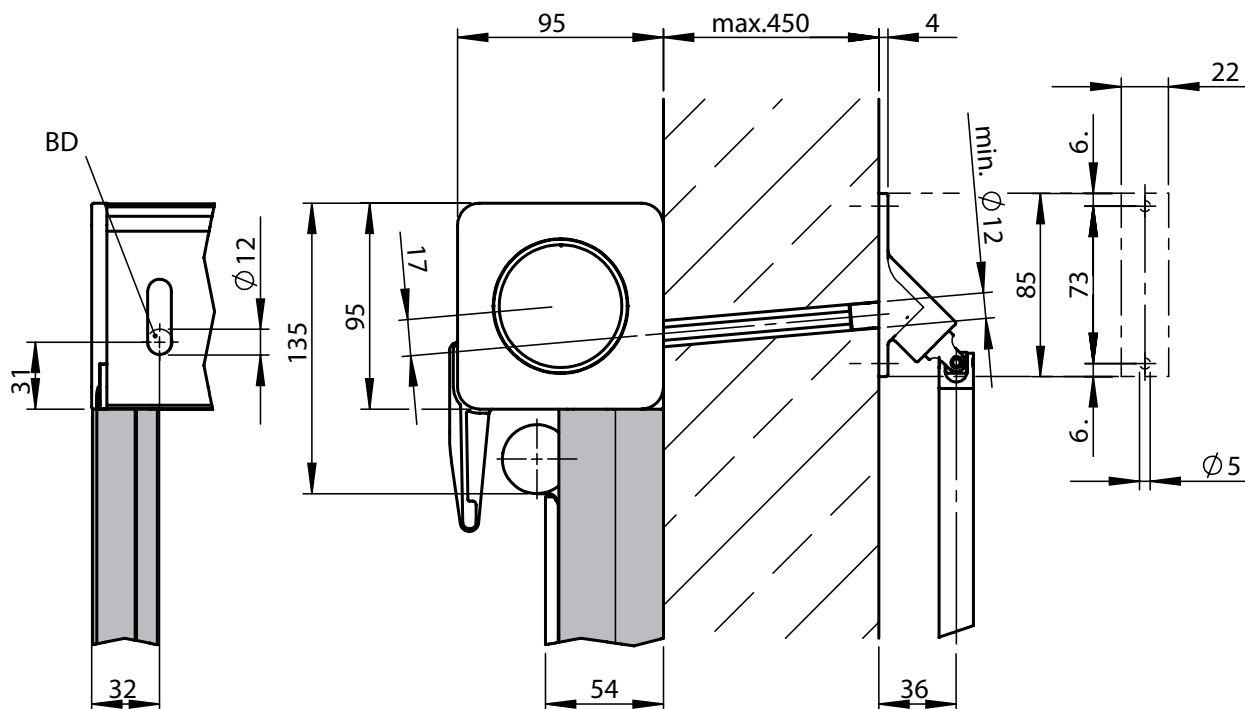
Reveal fixture



- AH = unit height
- AL = arm length
- M = overall awning width
- TB = cover width
- BA = width between fixing points
- [...] = dimensions in the case of motor and interior operation
- ABO = number of drill holes
- LF = length of guide rail
- xxx = even drill hole distribution

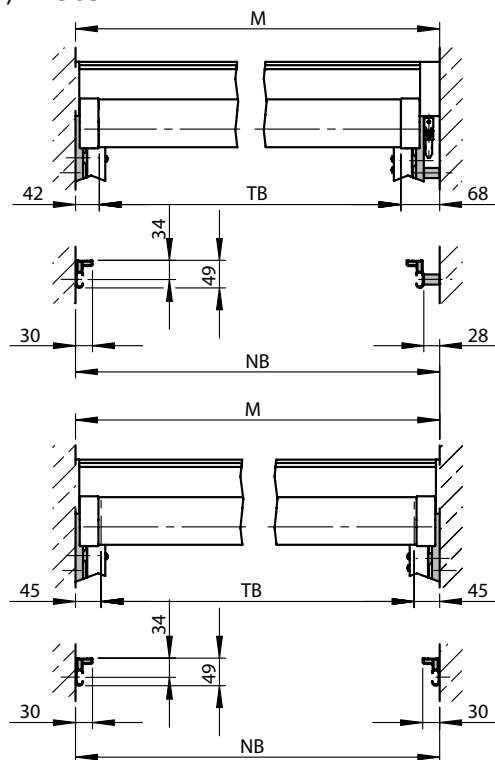
How to install the markilux 740

Face fixture with interior operation



dimensions in mm

Reveal fixture for gearbox/motor

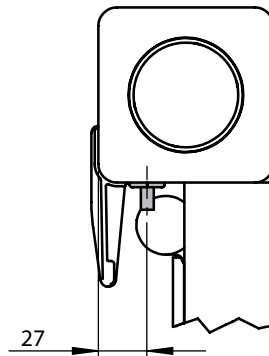
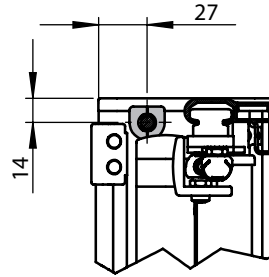


dimensions in mm

- M = overall awning width
- TB = cover width
- NB = reveal width
- BD = horizontal drill hole

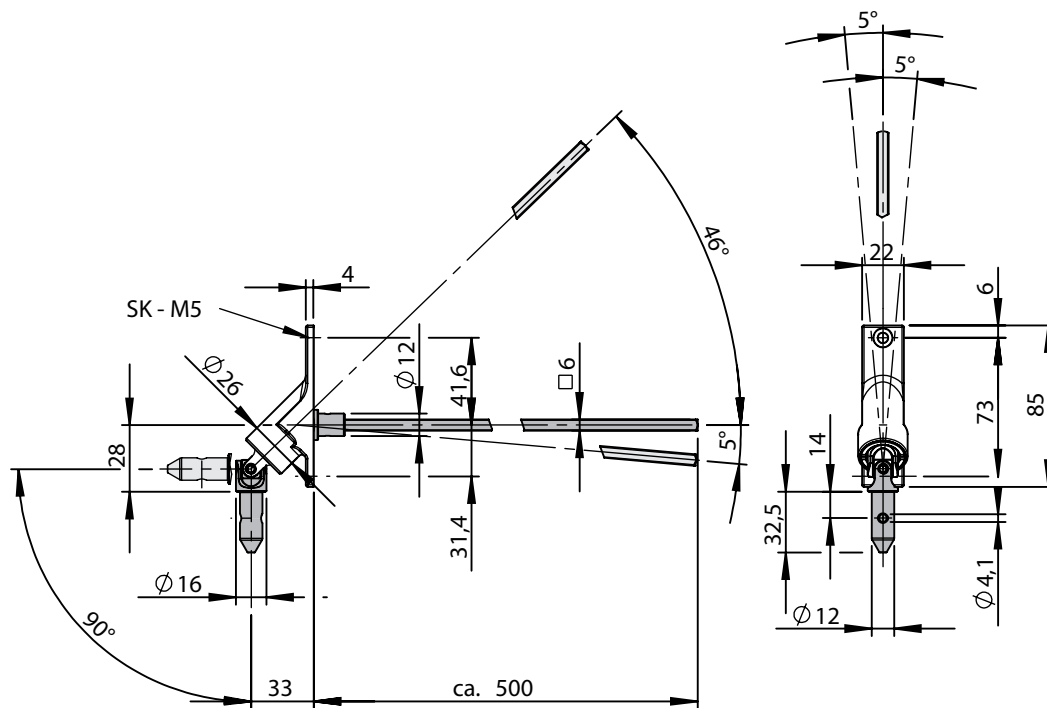
How to install the markilux 740

Cable exit point in the case of motor-driven units



dimensions in mm

Winding handle for interior operation $\varnothing 16$ mm up to a vertical angle of 90° and a horizontal angle of 5°

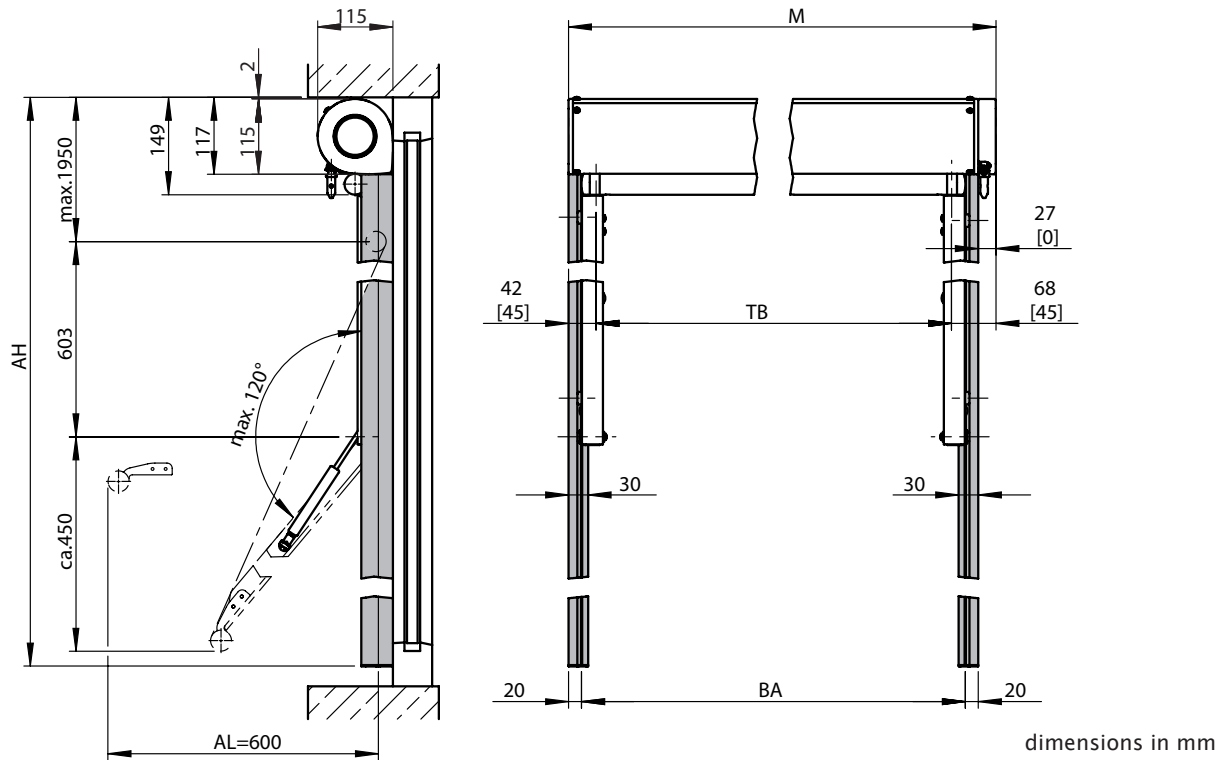


dimensions in mm

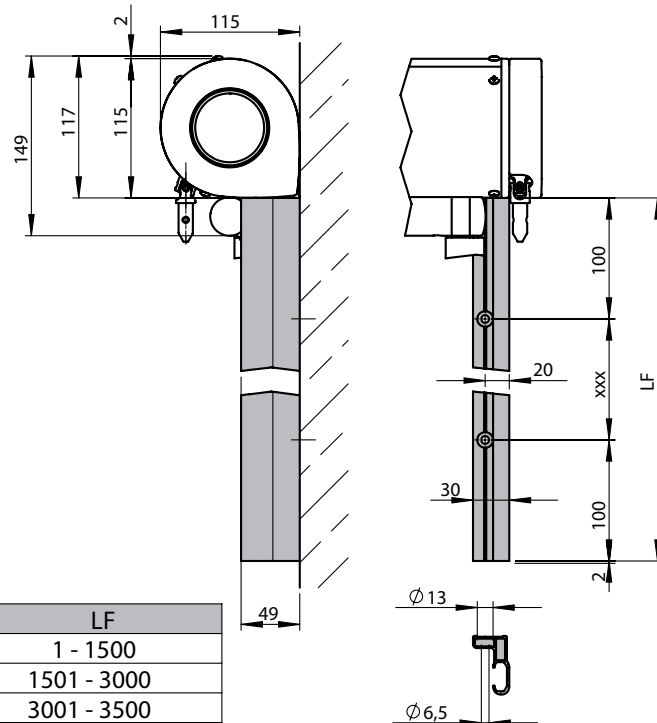
SK = chase out depth

How to install the markilux 840

Dimension overview

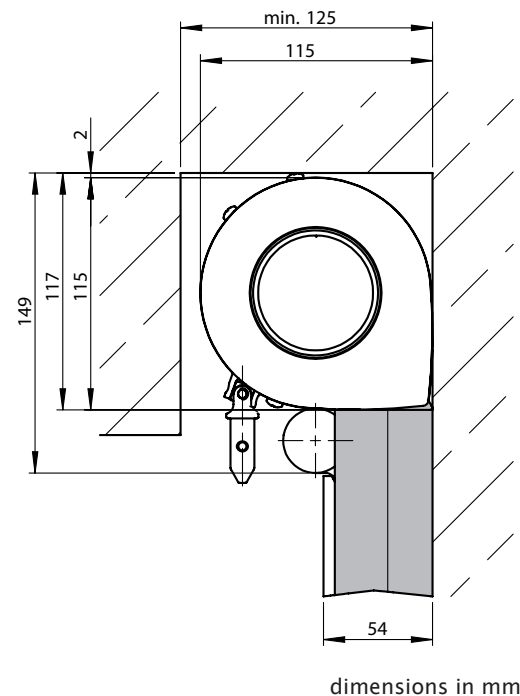


Face fixture



ABO	LF
2	1 - 1500
3	1501 - 3000
4	3001 - 3500

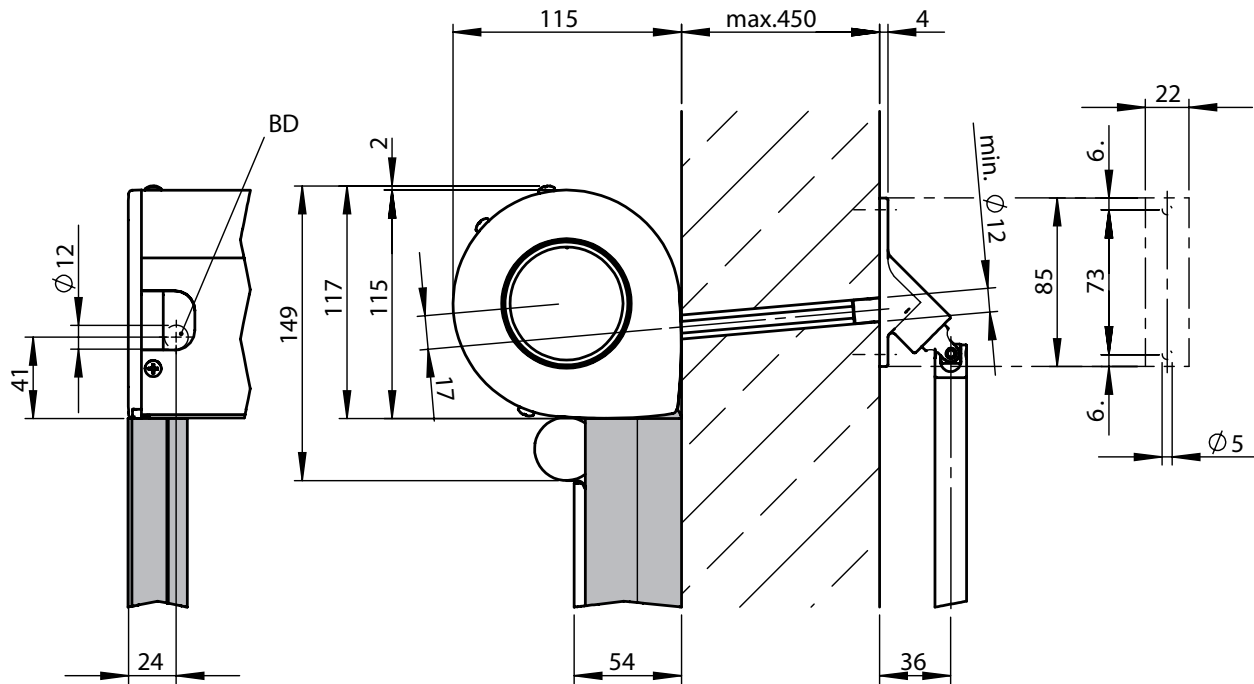
Reveal fixture



- AH = unit height
- AL = arm length
- M = overall awning width
- TB = cover width
- BA = width between fixing points
- [...] = dimensions in the case of motor and interior operation
- ABO = number of drill holes
- LF = length of guide rail
- xxx = even drill hole distribution

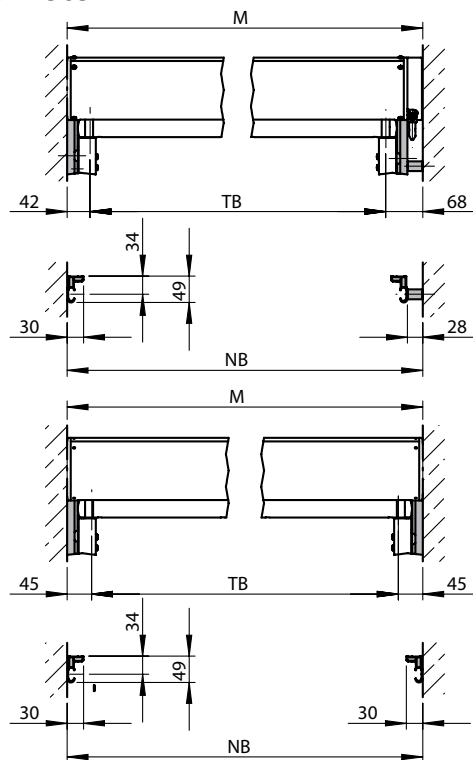
How to install the markilux 840

Face fixture with interior operation



dimensions in mm

Reveal fixture for gearbox/motor

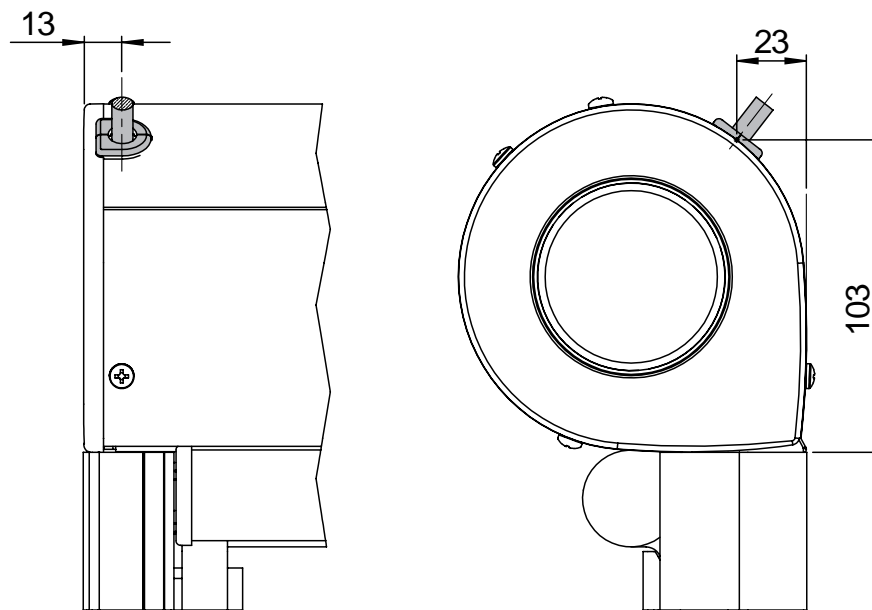


dimensions in mm

- M = overall awning width
- TB = cover width
- NB = reveal width
- BD = horizontal drill hole

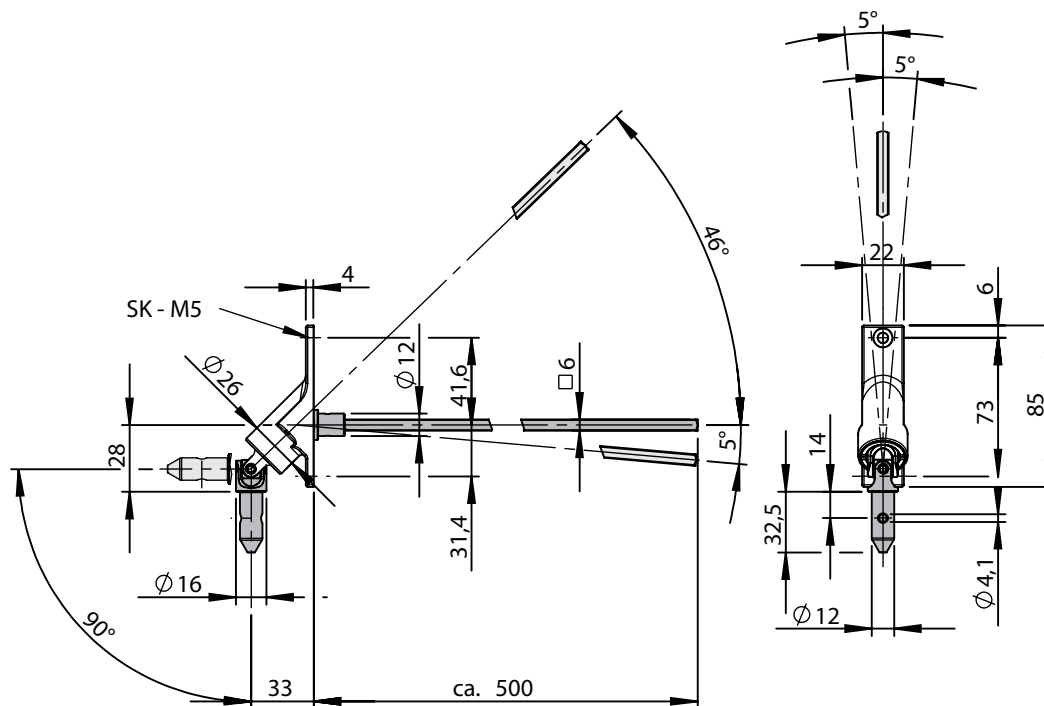
How to install the markilux 840

Cable exit point in the case of motor-driven units



dimensions in mm

Winding handle for interior operation \varnothing 16 mm up to a vertical angle of 90° and a horizontal angle of 5°



dimensions in mm

SK = chase out depth

