



markilux 710 / 810

The Vertical cassette blinds with lateral guide cables, proven and practical, classic and classy



markilux



rated to wind resistance class 2
(corresponds to Beaufort 5)

markilux 710 / 810

The vertical cassette blinds with lateral guide cables, proven and practical, classic and classy

Design features

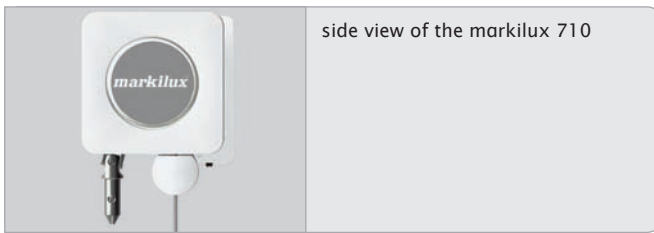
- vertical blind, complete protection from the sun and inquisitive glances
- markilux 710: compact, square and discreet, the cassette profile made of extruded aluminium is only 95 mm in height
- for long-lasting attractiveness the awning has been powder coated
- when retracted the cover is protected from the weather by the cassette, which encloses it completely
- one-piece covers made from widely woven, plain awning fabrics make it possible to do away with seams entirely

Technical highlights

- the cover is guided down plastic-coated cables
- robust, self-supporting cassette made of extruded aluminium
- operation by means of a smooth gearbox and universal joint
- extremely sturdy, stainless steel side cheek sheathed in plastic and powder coated
- also available as a coupled unit to span large widths

Additional features

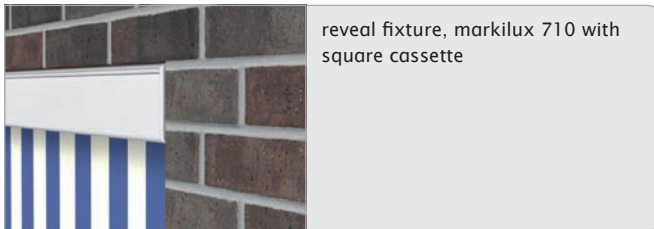
- hard-wired motor operation (optionally with automatic weather controls) for straightforward and easy operation
- radio-controlled motor with radio remote control for ease of use
- an easily installed, radio control light and wind sensor guarantees comfort and a degree of safety - even in your absence
- handle for interior operation, for manual operation from inside the room



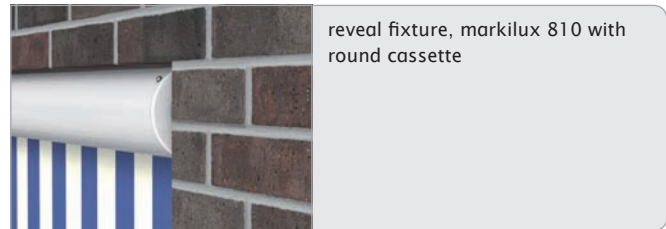
side view of the markilux 710



side view of the markilux 810



reveal fixture, markilux 710 with square cassette



reveal fixture, markilux 810 with round cassette

Standard specification

manual operation; handle with bayonet fitting

bonded awning cover

sunsilk snc fabric

sunsilk snc signature fabric

acrylic fabric 34

widely woven acrylic fabric

perfortex fabric

transolair fabric

Standard frame colours

traffic white - RAL 9016

metallic aluminium - RAL 9006

grey brown - similar to RAL 8019

Optional accessories

manual operation from inside the building

manual operation from the rear

hard-wired or radio-controlled motor with remote control

light and wind sensor

coupled units

non-standard powder-coated finish

Dimensions and configuration options

unit height	blind width																	minimum width		
	75	100	125	150	175	200	225	250	275	300	325	350	375	400	425	450	475	500	hard-wired motor	radio-controlled motor
120																			75	74
160																				
200																				
250																				
300																				
350																				

dimensions in cm

- = available, 2 brackets per cassette
- = available, 3 brackets per cassette

Operation	
manual operation; handle with bayonet fitting	●
manual operation from inside the building	○
manual operation from the rear	○
hard-wired motor	○
radio-controlled motor	○*
Covers	
sunsilk snc (fabric series 324xx/329xx)	● ¹
sunsilk snc signature (fabric series 369xx)	● ¹
acrylic 34 (fabric series 341xx-347xx)	● ²
widely woven acrylic (fabric series 349xx)	● ³
sunsilk perla FR (fabric series 374xx/379xx)	○ ⁴
perfortex (fabric series 333xx)	● ²
transolair (fabric series 339xx)	● ⁵
Soltis 92	○ ⁶
Miscellaneous	
light and wind sensor	○
cover profiles for gap between tracks and cover	–
wedge-in accro bars	–
markilux PVC windows	–
Coupled units	
coupled unit, 2 fields	○
coupled unit, 3 fields	–

- = standard specification
- = optional accessories
- = not available
- * = radio-controlled motor using 433 MHz technology
- ¹ = in the case of the markilux 710 the maximum unit height is 300 cm
- ² = in the case of the markilux 710 the maximum unit height is 250 cm
- ³ = from an overall width of 329 cm and a unit height of 316 cm with horizontal seam
- ⁴ = in the case of the markilux 710 the maximum unit height is 250 cm
- ⁵ = cover seamless, from an awning width of 261 cm and a unit height of 248 cm with horizontal seam.
- ⁶ = cover seamless, from an awning width of 186 cm and a unit height of 173 cm with horizontal seam

Housing tolerances / Awning cover dimensions	Width	unit height
housing tolerance	+5 / -10	
awning cover width = width less	80	
blind/awning cover length = unit height		±0

dimensions in mm

The width of the awning cover is always less than the width of the awning. Coupled units on request.

Standard manual operation with bayonet fitting and universal joint made of stainless steel is operated from outside the building (winding handle lengths 110, 140, 160, 180 or 220 cm).

Manual interior operation with universal joint: this operation type requires exact fixture, usually means high (labour) costs for the end consumer and can only be employed on single units. We therefore recommend the use of a radio-controlled motor.

Manual operation using a universal joint and from the rear: This operation type should be used in installations when the system can be approached from the rear (e.g. on balconies).

In the case of manual operation it takes approximately 24 turns per metre of overall unit height to extend the system.

Extension when using a motor takes approximately 15 seconds per metre.

N.B.! If the motor is used continuously it will stop automatically after 3 to 4 minutes to prevent overheating.





In the case of a bank of awnings operating simultaneously, the same speed of rotation of the motors cannot be guaranteed because of tolerances within the motors themselves.

If a number of single blinds are to be installed next to one another there must be a distance of at least 25 mm between the blinds in the case of the markilux 710 and 30 mm in the case of the markilux 810.

If coupled blinds are fitted into a recess or reveal the overall width of the coupled awning must be at least 6 cm less than the width of the opening to allow the awning to be coupled. Make a special note if an awning is to be fitted into a recess or reveal and note the recess/reveal dimensions separately to the order.

Coupled units are only available with motor (surcharge)

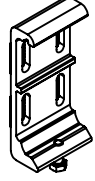
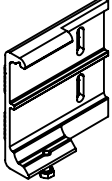
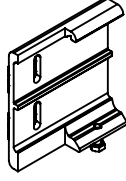
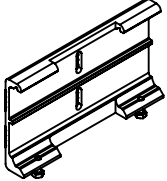
Maximum width of coupled units: 2 x 500 cm

Frame colours		
traffic white - RAL 9016		●
white aluminium - RAL 9006		●
grey brown - similar to RAL 8019		●
non-standard powder-coated finish		○

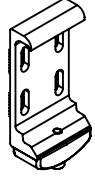
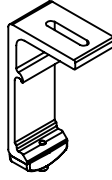
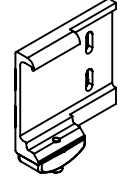
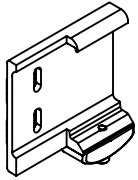
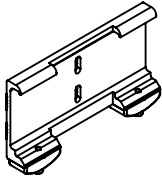
Colours similar to the RAL chart - these may differ slightly from those depicted in both hue and finish.

Fixtures, fittings and accessories

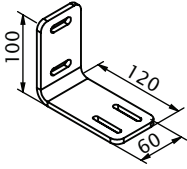
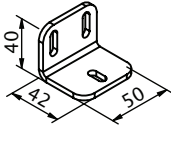
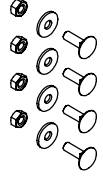
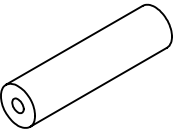
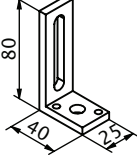
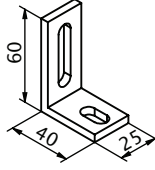
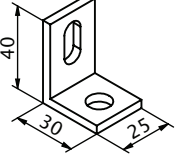

markilux 710

 <p>Universal bracket assembly 50 mm 78758.</p>	 <p>Universal bracket assembly with fishplate for lateral fixture right N.B! Not for the operation side: - interior operation - operation from the rear 78916.</p>	 <p>Universal bracket assembly with fishplate for lateral fixture left N.B! Not for the operation side: - interior operation - operation from the rear 78917.</p>
 <p>Universal bracket assembly for central fixture coupled unit 78919.</p>		

markilux 810

 <p>Face fixture bracket assembly 50 mm 78726.</p>	 <p>Top fixture bracket assembly 50 mm 78727.</p>	 <p>Face fixture bracket assembly with fishplate for lateral fixture right N.B! Not for the operation side: - interior operation - operation from the rear 78748.</p>
 <p>Face fixture bracket assembly with fishplate for lateral fixture left N.B! Not for the operation side: - interior operation - operation from the rear 78749.</p>	 <p>Face fixture bracket assembly for central fixture coupled unit 78745.</p>	

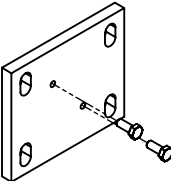
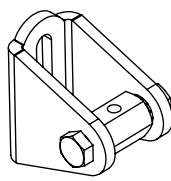
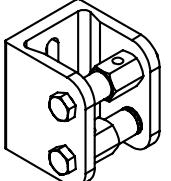
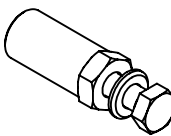
markilux 710 / 810

 <p>Additional angle for reveal fixture 120 x 100 x 60 mm please order additional accessories 792931! 77220.</p>	 <p>Angle plate for reveal fixture of cable guide 40 x 40 x 50 mm please order additional accessories 792931! 78565.</p>	 <p>Accessories two angle brackets 77220. or 78565. 792931</p>
 <p>Stand-off fixing tube 30 x 10 x 1000 mm N.B! stack to a max. of 120 mm 701668</p>	 <p>Stand-off angle bracket 80 x 40 x 25 mm please order additional accessories 799141! 70930.</p>	 <p>Stand-off angle bracket 60 x 40 x 25 mm please order additional accessories 799141! 70940.</p>
 <p>Stand-off angle bracket 40 x 30 x 25 mm please order additional accessories 799141! 70950.</p>	 <p>Accessories for one angle bracket 70930., 70940. or 79050. 799141</p>	

. = Please insert the RAL No. (please refer to the section on "Coatings")

Fixtures, fittings and accessories

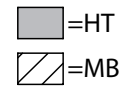
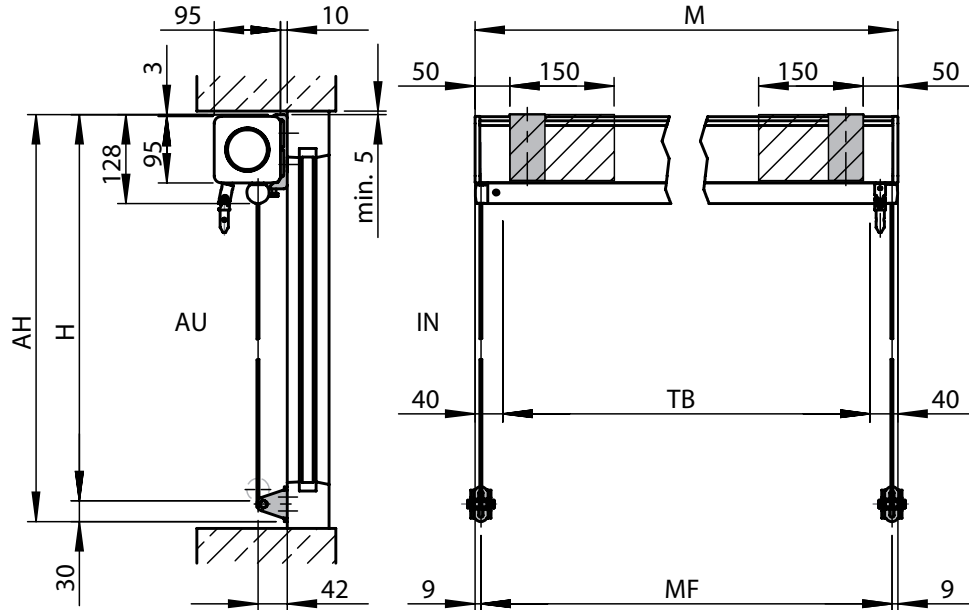
markilux 710 / 810

 <p>Spreader plate assembly for face-/universal bracket</p> <p>100 x 120 x 10 mm</p> <p>78982.</p>	 <p>Accessory pack for 2 guide cables</p> <p>78761.</p>	 <p>Accessory pack for a coupled cable clamp</p> <p>78910.</p>
 <p>Reducing bolt assembly M 10 - M 6 / SW 13</p> <p>30 mm length</p> <p>(please refer to the section "Technical Information")</p> <p>753211.</p>		

. = Please insert the RAL No. (please refer to the section on "Coatings")

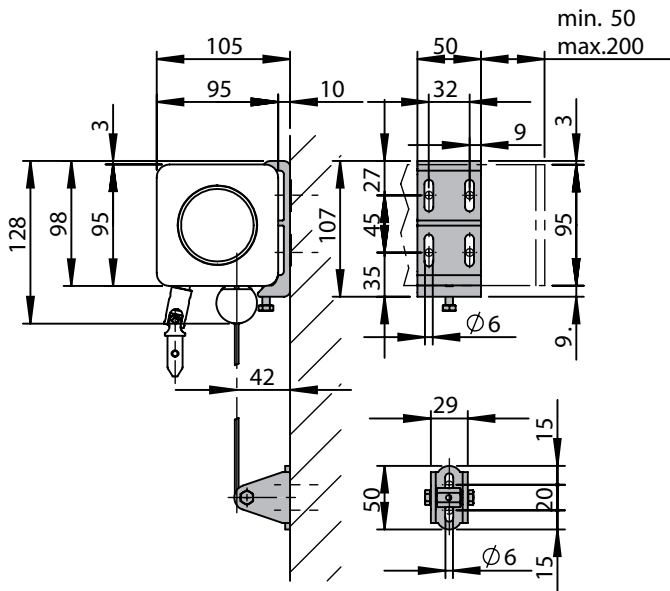
How to install the markilux 710

Dimension overview

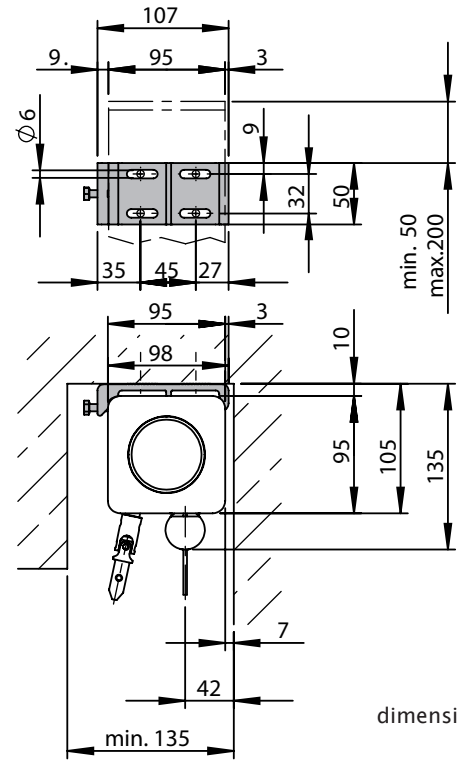


dimensions in mm

Face fixture



Top and reveal fixture

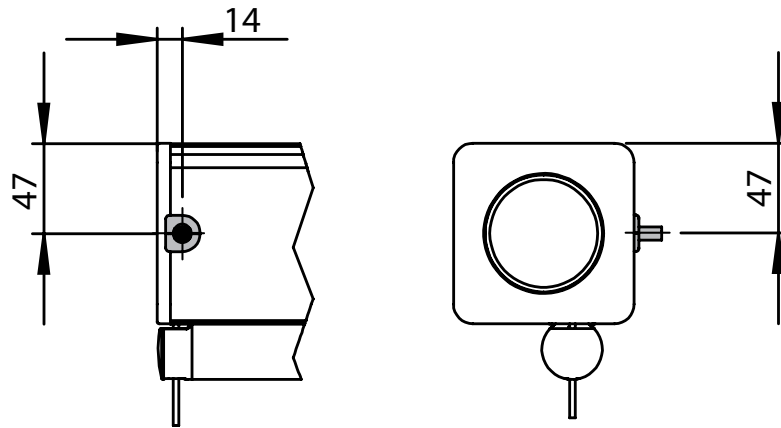


dimensions in mm

- AH = unit height
- H = drop
- M = overall blind/awning width
- HT = bracket
- AU = exterior
- IN = interior
- TB = cover width
- MF = centre of the cable guide, centre of the stainless steel guide rod, fixture width

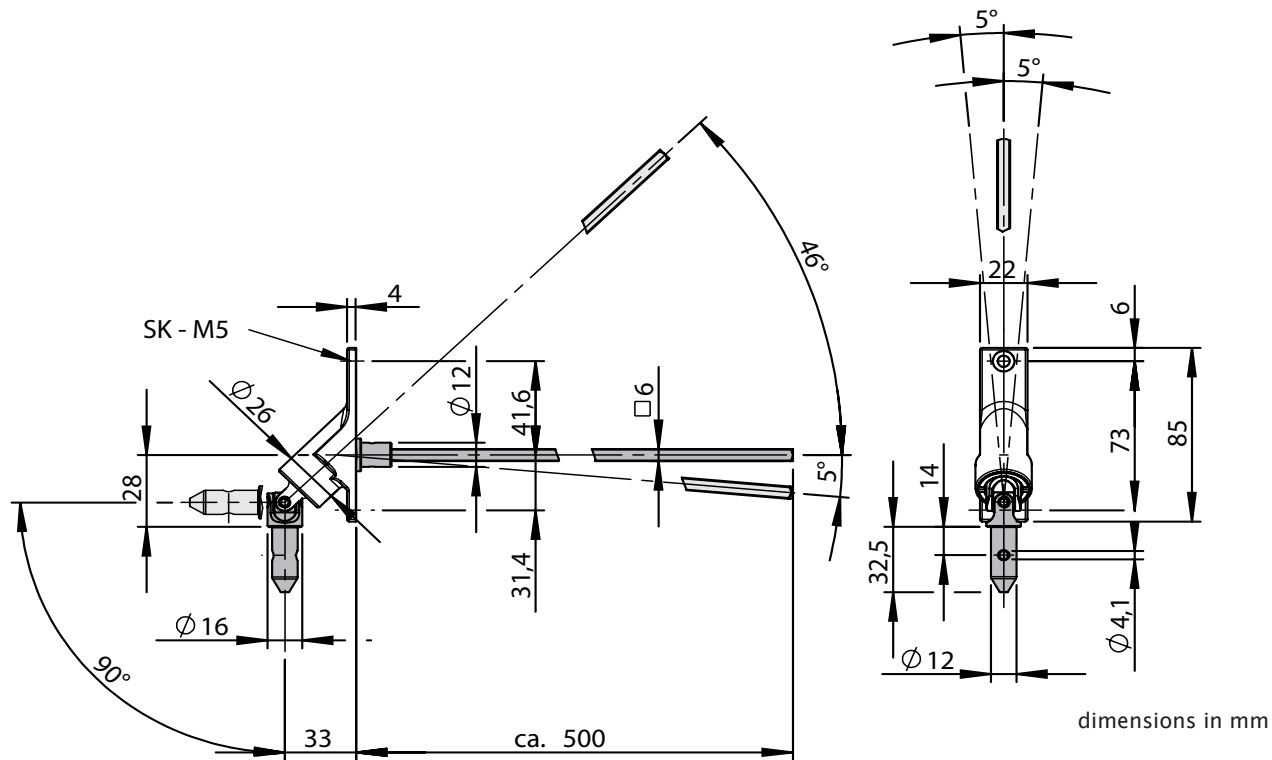
How to install the markilux 710

Cable exit point in the case of motor-driven units



dimensions in mm

Winding handle for interior operation \varnothing 16 mm up to a vertical angle of 90° and a horizontal angle of 5°

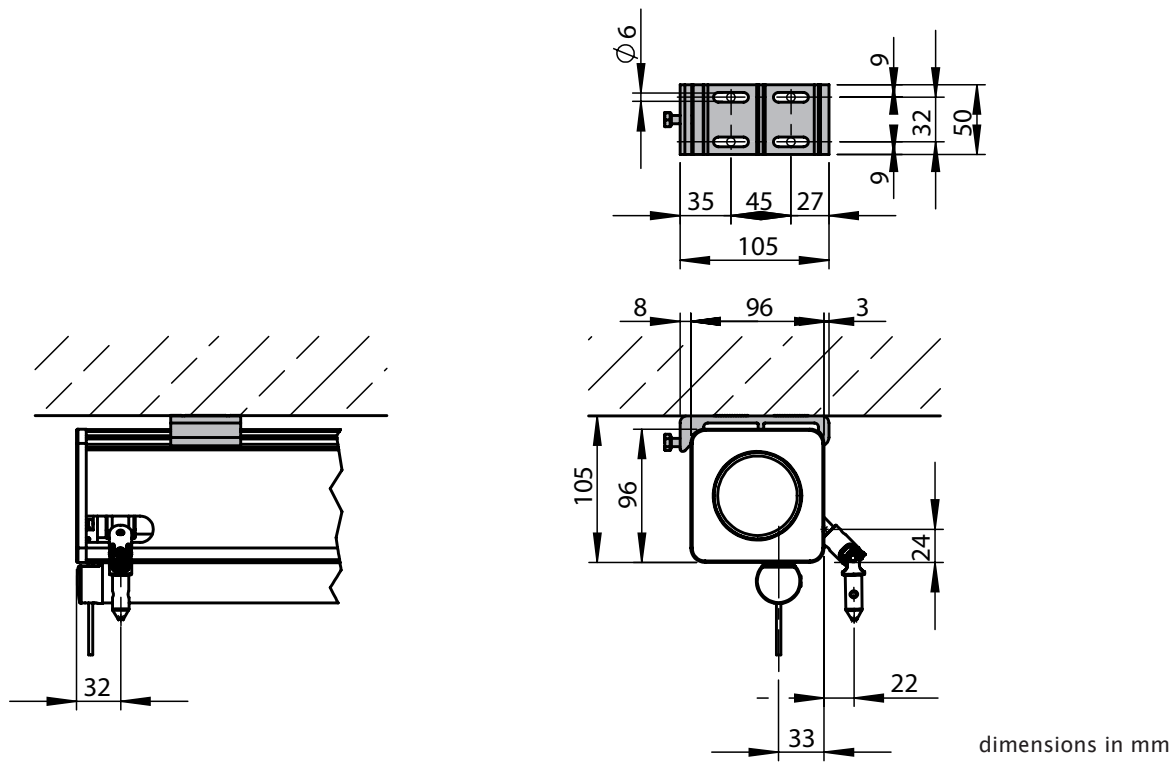


dimensions in mm

SK = chase out depth

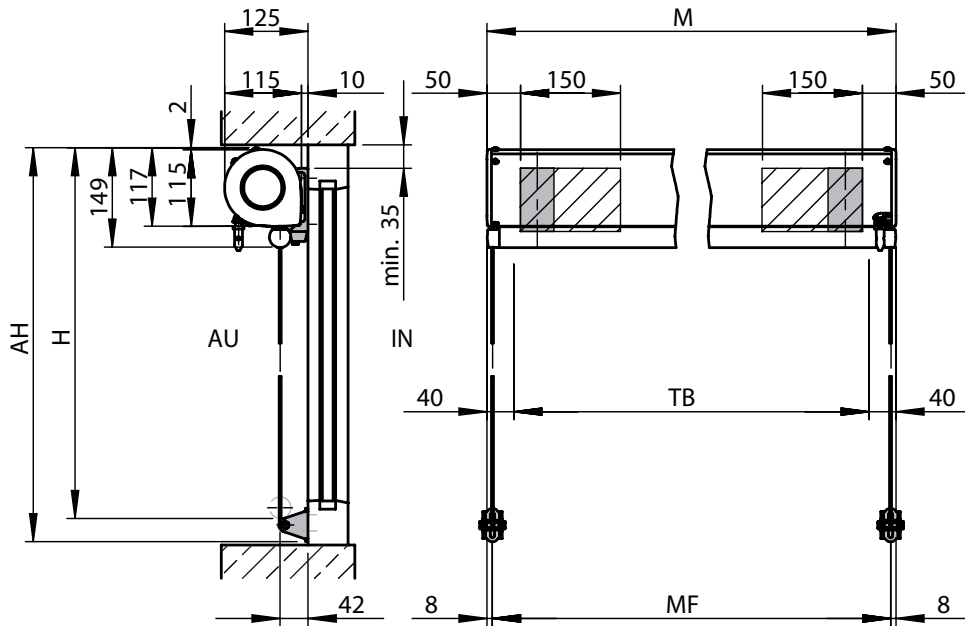
How to install the markilux 710

Operation from the rear



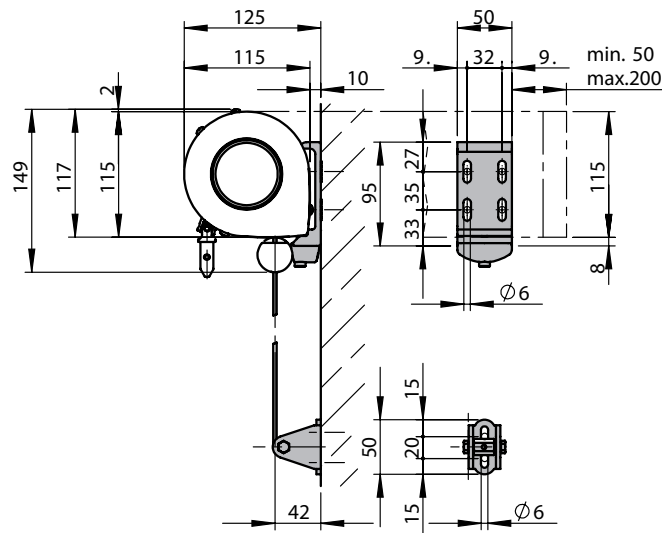
How to install the markilux 810

Dimension overview

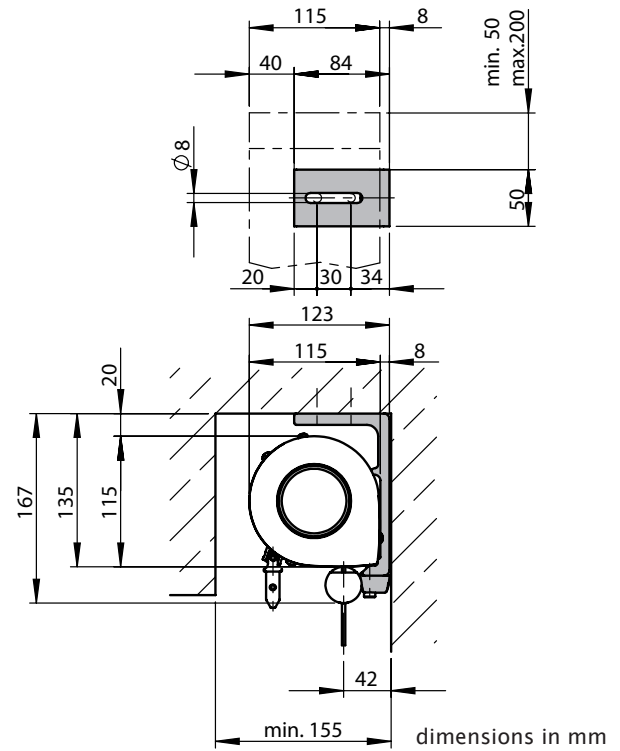


= HT
 = MB dimensions in mm

Face fixture



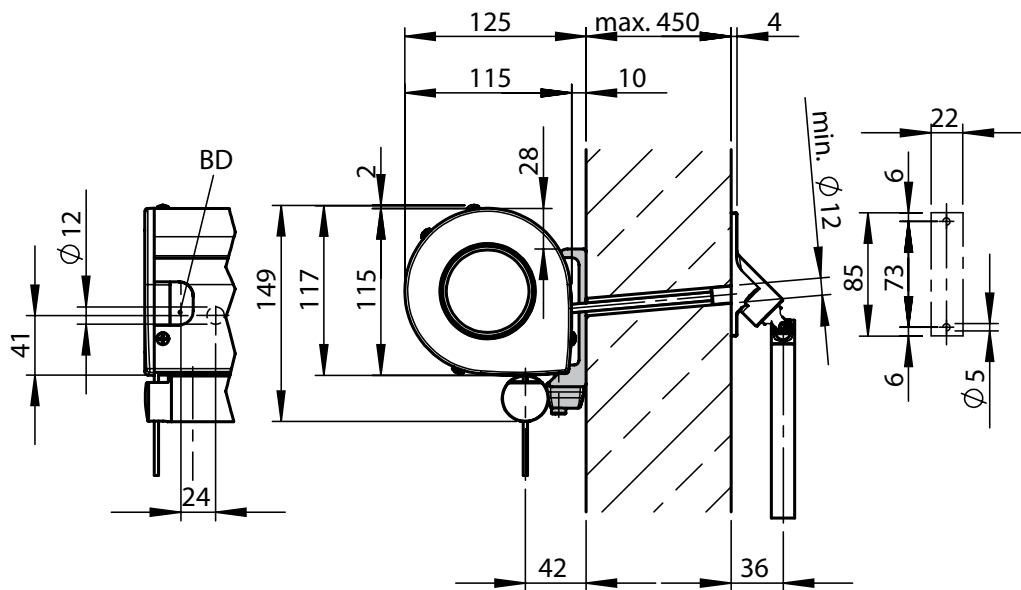
Top and reveal fixture



- AH = unit height
- H = drop
- M = overall blind/awning width
- HT = bracket
- AU = exterior
- IN = interior
- TB = cover width
- MF = centre of the cable guide, centre of the stainless steel guide rod, fixture width

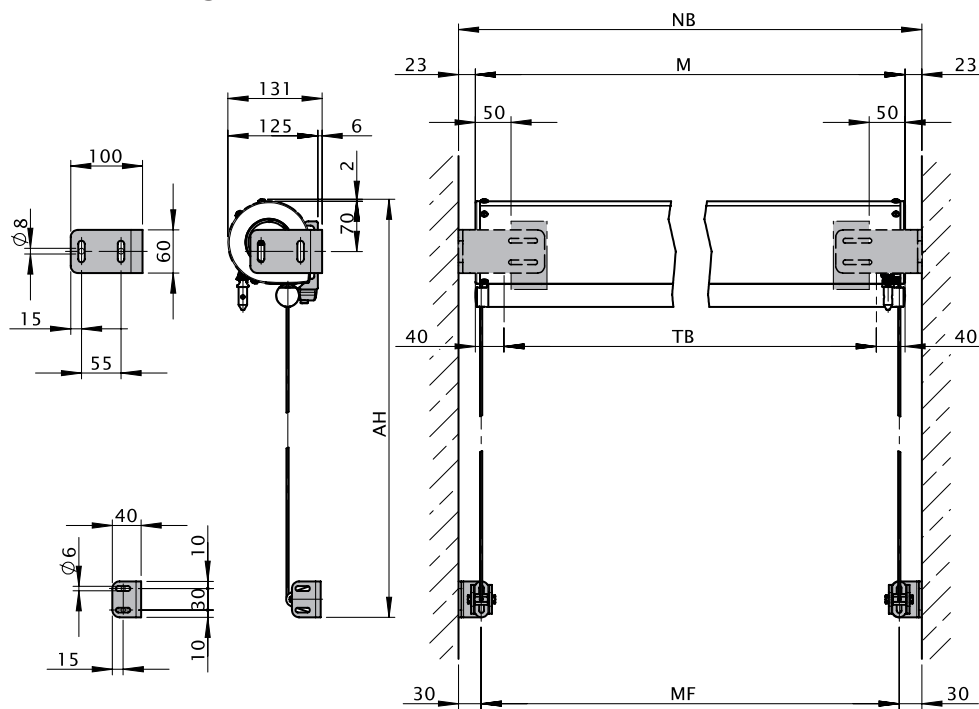
How to install the markilux 810

Face fixture with interior operation



dimensions in mm

Reveal fixture for gearbox/motor

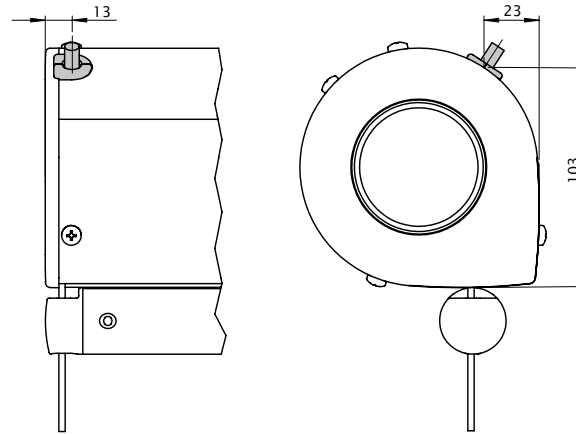


=HT dimensions in mm

- AH = unit height
- M = overall blind/awning width
- HT = bracket
- NB = reveal width
- BD = horizontal drill hole
- TB = cover width
- MF = centre of the cable guide, centre of the stainless steel guide rod, fixture width

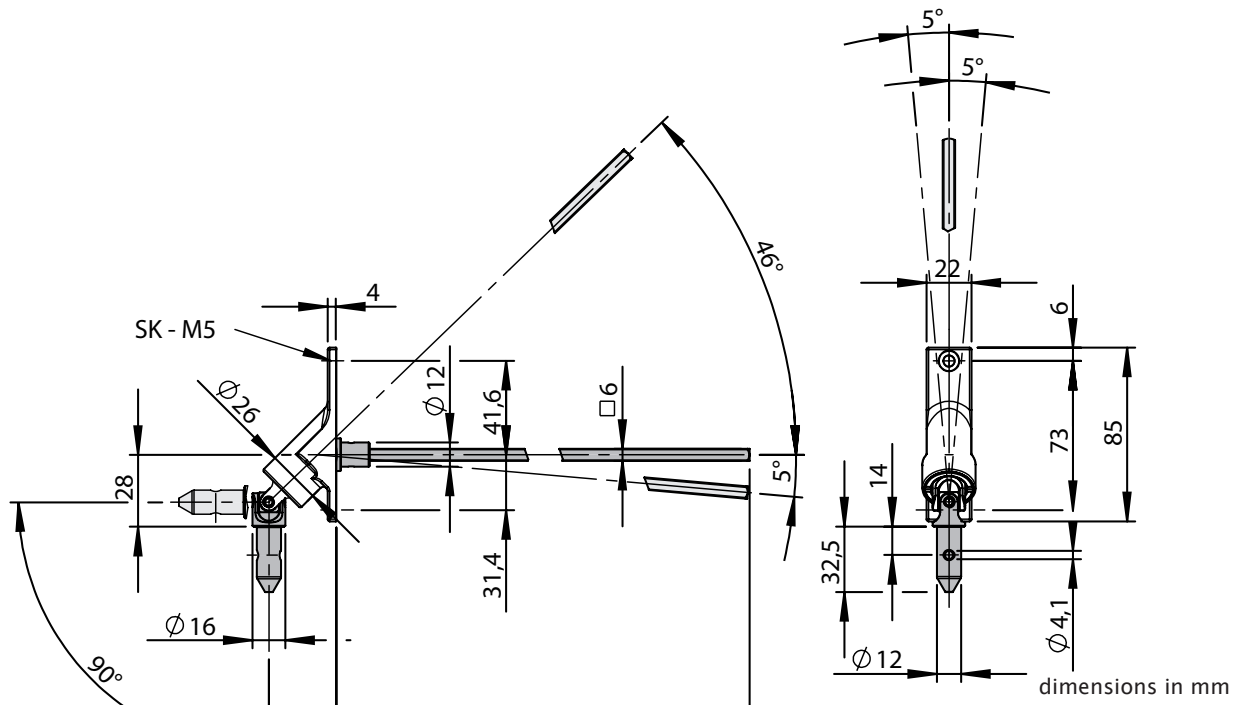
How to install the markilux 810

Cable exit point in the case of motor-driven units



dimensions in mm

Winding handle for interior operation $\varnothing 16$ mm up to a vertical angle of 90° and a horizontal angle of 5°

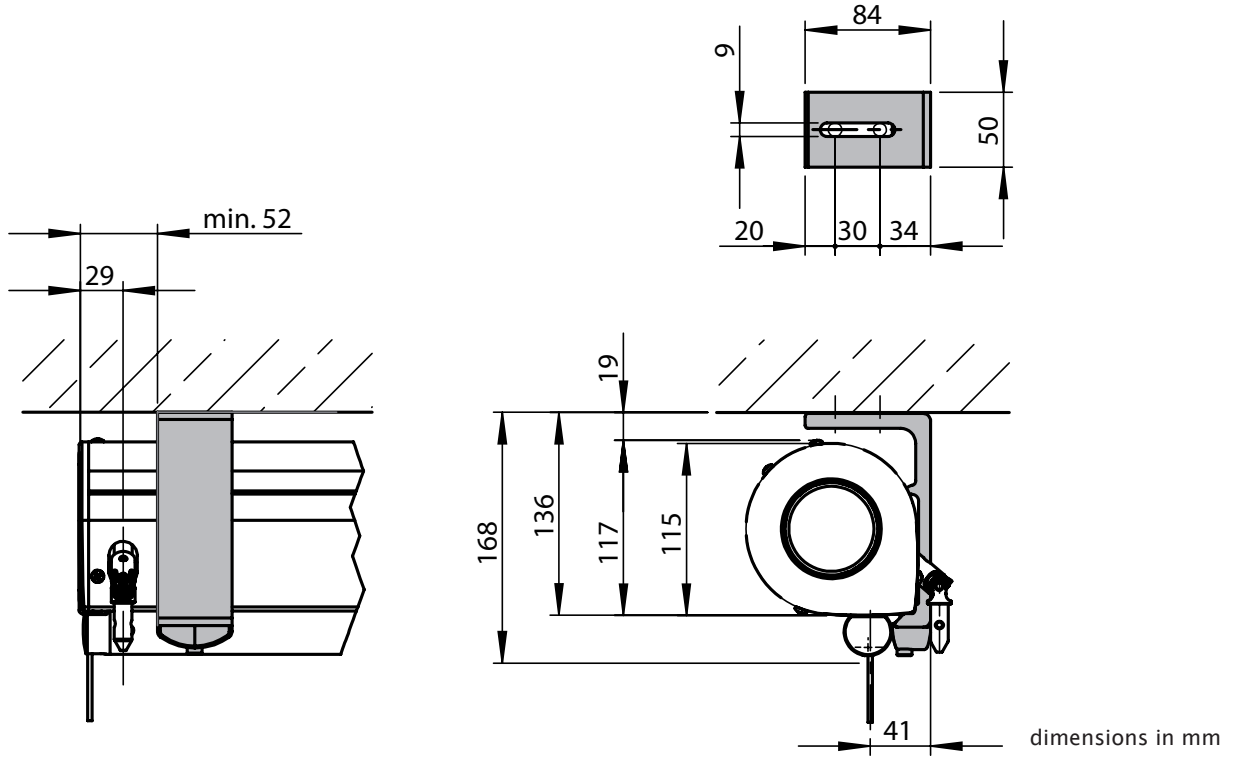


dimensions in mm

SK = chase out depth

How to install the markilux 810

Operation from the rear



MB = bracket fixture range