

Ambience Blackout Roller Blind

Product Information

Ambience Blackout Roller Blind offers a robust system ideal for use where ever total privacy is required, such as home theatres, conference rooms and bedrooms.

The Ambience Blackout Roller Blind is supplied complete with cassette style head box and blackout side channels and is also available in a multi-link system.

Suitable for both commercial and residential use, available as either chain control or motorised operation.

Further Information

To find out more information phone Verosol Customer Care on 1800 721 404 or visit www.verosol.com.au



Technical Information

Product Code	R205.0	
Product Name	Ambience Blackout Roller Blind	
Operation	Stainless Steel Chain Operation	
Dimensions	Width	500mm minimum - 3000mm maximum
	Drop	500mm minimum - 3000mm maximum
	Spring Assist	850mm minimum width
	Maximum Area	6m ² without spring assist / 8m ² with spring assist
Roller Tube	Standard	44mm - for all roller blinds less than 2399mm wide
	Heavy Duty	49mm - for all roller blinds more than 2400mm wide
Base Rail	Standard	Flat Base Rail [11mm x 22mm]
	Colours	Paint: White, Black and Barley Anodised: Clear
Control	Mechanism	Direct action, high tensol would steel spring which operated in such a way that it only applies the precise braking power necessary to keep the blind in the desired position.
	Idler	Extendable pin idle-end for easy installation. The idle-end extends up to 10mm in increments of 1mm for improved installation.
	Colours	Paint: White, Black and Barley Anodised: Clear
	Chain	PVC, Nickel Plated Steel or Stainless Steel
Brackets	Material	Press formed steel, pre-treated and powder coated
	Colours	White, Black, Barley and Silver Grey

Turn over for motorisation and optional extras

Ambience Blackout Roller Blind

Motorisation

Product Code	R205.6	
Product Name	Ambience Blackout Roller Blind	
Operation	240V AC Motorised	
Dimensions	Width	600mm minimum - 3000mm maximum
	Drop	500mm minimum - 3000mm maximum
	Maximum Area	9m ²
Roller Tube	Standard	44mm - for all roller blinds less than 2399mm wide
	Heavy Duty	49mm - for all roller blinds more than 2400mm wide
More Information	Refer to "8.0 Motorisation" in your Verosol Price List for more information	

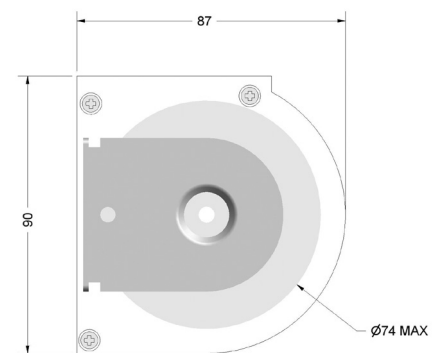
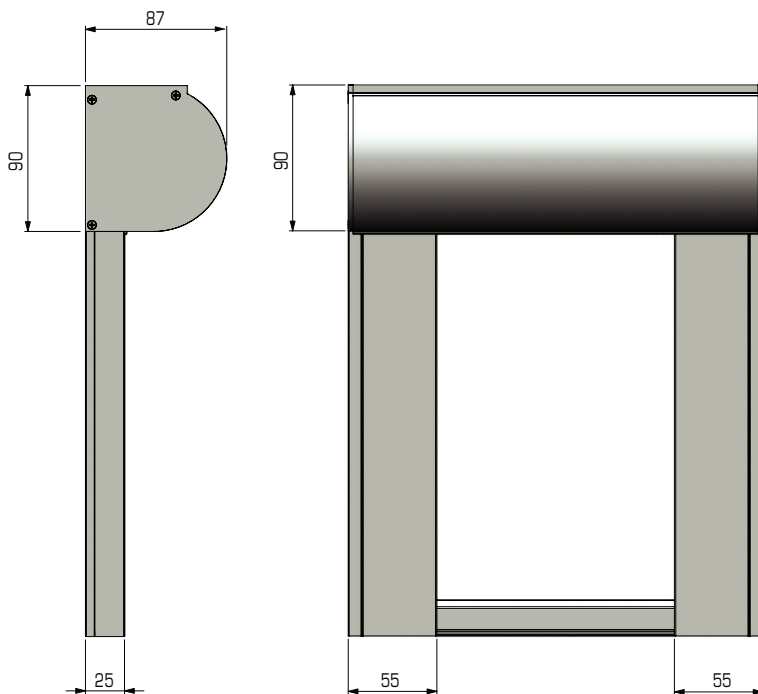
Optional

Headbox	Type	ACM Headbox
	Material	Extruded Aluminium Alloy [T5 Temper]
	Dimensions	87mm x 90mm
	Maximum	4800mm maximum width
	Colours	White, Black, Barley and Clear Anodised

System Diagrams

Ambience Blackout Roller Blind

ACM Headbox



Visit Verosol Price List for more system diagrams