

Ambience Heavy Duty Roller Blind

Product Information

Ambience Heavy Duty Roller Blind offers a an extremely strong roller blind system, supplied standard with a 60mm diameter tube and high strength spring boosters. For those extra large blinds, an 80mm diameter tube can be used.

Suitable for both commercial and residential use.

Utilising the new generation hardware system, the Ambience Heavy Duty Roller Blind incorporates many advanced features, such as spring assist operation, easy installation and a range of accessories.

Verosol's Ambience Heavy Duty Roller Blind can be easily upgraded from chain to motorised at any time.

Further Information

To find out more information phone Verosol Customer Care on 1800 721 404 or visit www.verosol.com.au



Technical Information

Product Code	R200.3	
Product Name	Ambience Heavy Duty Roller Blind	
Operation	Stainless Steel Chain Operation	
Dimensions	Width	600mm minimum - 3000mm maximum
	Drop	600mm minimum - 3000mm maximum
	Spring Assist	1200mm minimum width
Roller Tube	Standard	60mm is standard size for all Heavy Duty Roller Blinds
	Optional	80mm tube diameter is also available
Base Rail	Standard	Heavy Duty Base Rail
	Optional	Flat [11mm x 22mm], Round [22mm], Verosol [17mm x 28mm] or Elliptical [11mm x 22mm]
	Colours	Paint: White, Black and Barley Anodised: Clear
Control	Mechanism	Direct action, high tensol would steel spring which operated in such a way that it only applies the precise braking power necessary to keep the blind in the desired position.
	Idler	Extendable pin idle-end for easy installation. The idle-end extends up to 10mm in increments of 1mm for improved installation.
	Colours	Paint: White, Black and Barley Anodised: Clear
	Chain	PVC, Nickel Plated Steel or Stainless Steel
Brackets	Material	Press formed steel, pre-treated and powder coated
	Colours	White, Black, Barley and Silver Grey

Turn over for motorisation and optional extras

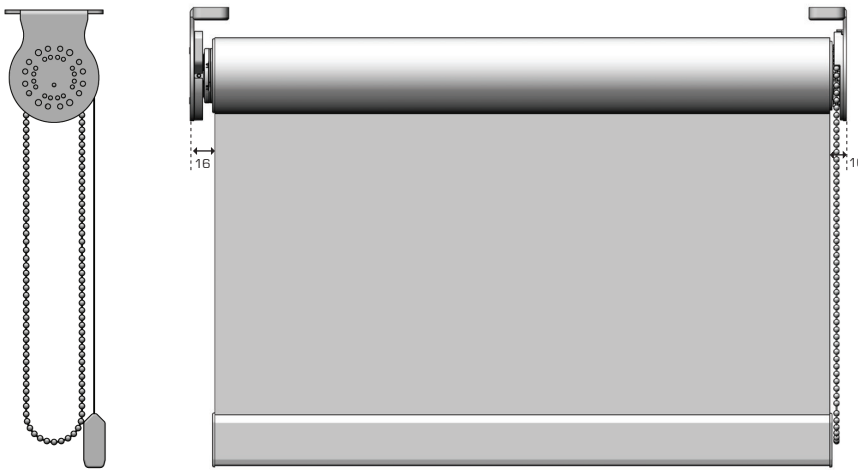
Ambience Heavy Duty Roller Blind

Motorisation

Product Code	R200.7	
Product Name	Ambience Heavy Duty Roller Blind	
Operation	240V AC Motorised	
Dimensions	Width	600mm minimum - 3000mm maximum
	Drop	600mm minimum - 3000mm maximum
	Maximum Area	9m ²
Roller Tube	Standard	60mm
	Optional	80mm tube diameter is also available
More Information	Refer to "8.0 Motorisation" in your Verosol Price List for more information	

System Diagrams

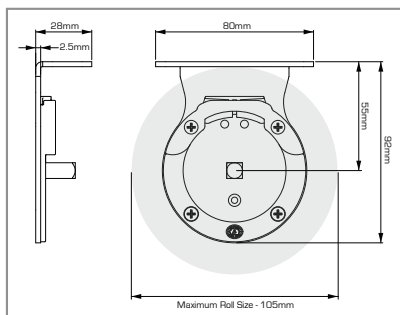
Ambience Heavy Duty Roller Blind System



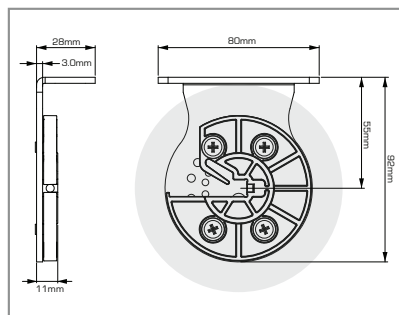
Heavy Duty Brackets

Available in White and Black only

Chain Drive Bracket



Idle End Bracket



Visit Verosol Price List for more system diagrams