

## Conservatory / Skylight Pleated Blind

### Product Information

Verosol's **Conservatory Pleated Blind – Wand Operated** is truly a unique blind. Designed for conservatories and/or skylight windows on inclined windows.

Not only is the Conservatory Pleated Blind kept in position by Guide Wires, but its specifically designed tension wires mean that the blind can be positioned at any degree of opening, without falling down. For ease in operation, Wand Operation is used for windows out of reach.

Choose from one of Verosol's metal backed fabrics and this pleated blind will help control heat and glare in summer and reduce heat loss in winter.

### Further Information

To find out more information phone Verosol Customer Care on 1800 721 404 or visit [www.verosol.com.au](http://www.verosol.com.au)



### Technical Information

Product Code	P204.1	P205.0	P205.0	P205.0
Product Name	Conservatory Blind	Skylight - Cord	Skylight - Gravity Drop	Skylight - Wand
Operation	Profile Operation	Cord [two way pull]	Cord Lift Operation	Wand Operation
Dimensions	W: 300mm - 1500mm	W: 300mm - 3000mm	W: 300mm - 3000mm	W: 300mm - 1500mm
	H: 200mm - 3200mm	H: 200mm - 3000mm	H: 200mm - 3000mm	H: 200mm - 3000mm
	4.8m <sup>2</sup> maximum area	8m <sup>2</sup> maximum area	8m <sup>2</sup> maximum area	3m <sup>2</sup> maximum area

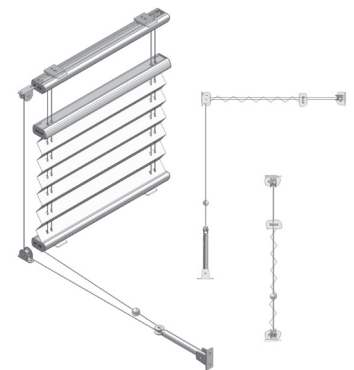
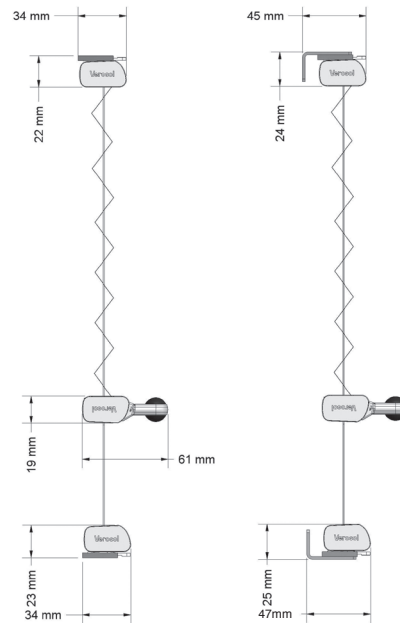
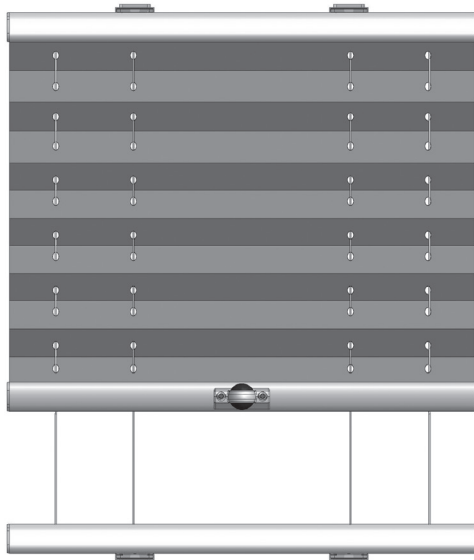
Head Rail	Material	Extruded Aluminium Alloy - Aysmmetric Profile
	Dimensions	33mm W x 20mm H
Bottom Rail	Material	Extruded Aluminium Alloy - Aysmmetric Profile
	Dimensions	30mm W x 12mm H
	Colours	Coordinated - Refer to "Pleated Rail Chart"
	Paint	Electrostatic Powder Coated and Baked
Wand	Length	Standard: 1800mm or specify length when ordering
Inner Rail	Material	UV Stabilised Acrylonitrile Butadiene Styrebe [ABS] Plastic
End Caps	Material	UV Stabilised Polymer Acrylic
	Colour	Coordinated - Refer to "Pleated Rail Chart"
Lift and Blind Cords	Material	Braided Polyester [minimum diamter: 1.0mm]
	Colour	Coordinated - Refer to "Pleated Rail Chart"
Blind Positioning	Material	Friction stop created by crossed tensioned cords through the intermediate rail
Cord Position	Lift Cords 20mm from edge; Maximum spacing 500mm	
Installation Brackets	Material	Electro Plated Steel
	Operation	Top or Face Fixing - concealed when installed

Turn over for motorisation and optional extras

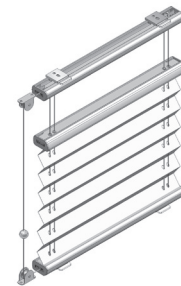
# Conservatory / Skylight Pleated Blind

## System Diagrams

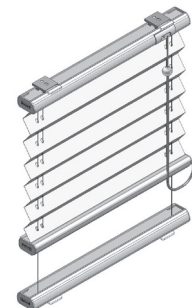
### Duo Pleated Blind



**Two Way Pull Cord - Cord Operated**



**Two Way Pull - Wand Operation**



**Gravity Drop - Cord Operated**

Visit Verosol Price List for more system diagrams

\* When the maximum fabric segment width of 2200mm is exceeded, blinds will have two segments with an overlap in centre of blind. If you have a specific requirement to match wide width fabric to window mullions, please specify and detail this on your order.

\*\* The maximum width of VeroCell fabric is 3000mm, the maximum drop of VeroCell fabric is 2700mm. VeroCell fabric cannot be joined, and cannot have fabric cut-outs.