

External Venetian Blinds



Dim-out Slat

Slat Widths: 73/ 93

Available Colours: Choose from 24 Standard RAL colours

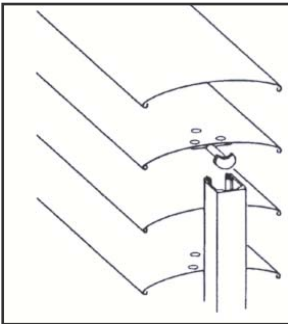
Contents:

1. Dim-out slat features
2. Rail guidance
3. Motor Drive
4. Crank drive
5. Dimension table
6. Stack height table
7. Weather cover/ Pelmet

Warema's dim-out profile offers the rigidity of a rolled edge slat with a unique special interlocking shape that greatly reduces daylight. Each slat is formed with a rubber insert that creates a gentle seal between slats. Two slat widths and a range of tailored components allow dim-out blinds to adapt to a multitude of building types and construction methods.

Features:

- Unique S shape with noise-deadening rubber inserts.
- Multifold shape provides excellent rigidity.
- Daylight guidance feature available.
- Special ladder cords that provide complete slat closure.
- Optional light diminishing channels to enclose slat ends.
- Extensive customizable features.
- Tilts through 180 degrees.
- Sound attenuation.
- Self-supporting version available.



Rail Guidance: A6

Available Types: Various

Available colours: Natural anodized/ RAL powder coat range

A range of extruded aluminium rail guides are available in various profiles to virtually suit any application.

Features:

- A black plastic sealing strip is inserted for sound absorption.
- Every third slat on a venetian blind is fixed with guiding nipples on both ends made of reinforced polyamide.
- Guide rails are the most stable form of guidance.

External Venetian Blinds



Crank Drive: C

Maintenance free bevel gears drive with an integrated brake.

Crank operation: Lifting and tilting of blinds is done via an articulated crank and crank rod made of an aluminium tube.



Motor Drive: E

Maintenance-free 230V covered electric motor with integrated limit switches and thermal protection switch

Motor operation: Lifting and tilting of the blinds is done via a wall switch/ remote control or Warema Control System (with connection into BUS systems if required)

Guide rails



Type 1, angled

- 25 x 18 mm
- Wall-mounted



Type 2, angled

- 25 x 18 mm
- Fits on guide rail brackets



Type 3, angled

- 50 x 18 mm
- Central guide rail to guide two blinds
- Fits on guide rail brackets



Type 4, round

- Ø 32 mm
- Fits on guide rail brackets



Type 7, round

- Ø 52 mm
- For use with self-supporting external venetian blinds



Type 8, round

- Ø 52 mm
- Central guide rail to guide two blinds
- For use with self-supporting external venetian blinds



Type 9, angled

- 25 x 50 mm
- For use with self-supporting external venetian blinds



Type 10, angled

- 50 x 50 mm
- Central guide rail to guide two blinds
- For use with self-supporting external venetian blinds



Fascia panel

- To reduce lateral incidence of light

Guide rail brackets



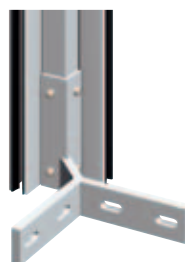
H 1

- Bracket for guide rail type 1, 2, 3, 4



H 101

- Bracket for guide rail type 7, 8, 9, 10



Corner bracket version 1

- Bracket for 90° external corner with 40 x 40 mm square tube and guide rail type 1

Cover panels

(Pelmet Types)



Cover panel ABL 01

- Angular cover panel, folded



Cover panel ABL 02

- Angular cover panel, with upturn beam



Cover panel ABL 03

- Angular cover panel, folded with upturn beam



Cover panel BL 04

- Angular cover panel, folded, sloped



Cover panel ABL 05

- Gallery cover panel



Cover panel ABL 06

- U-shaped cover panel, folded



Cover panel BL 07

- U-shaped cover panel, sloped on one side



Cover panel BL 08

- U-shaped cover panel, folded, angled on both sides



Cover panel BL 09

- Round-shaped cover panel, folded



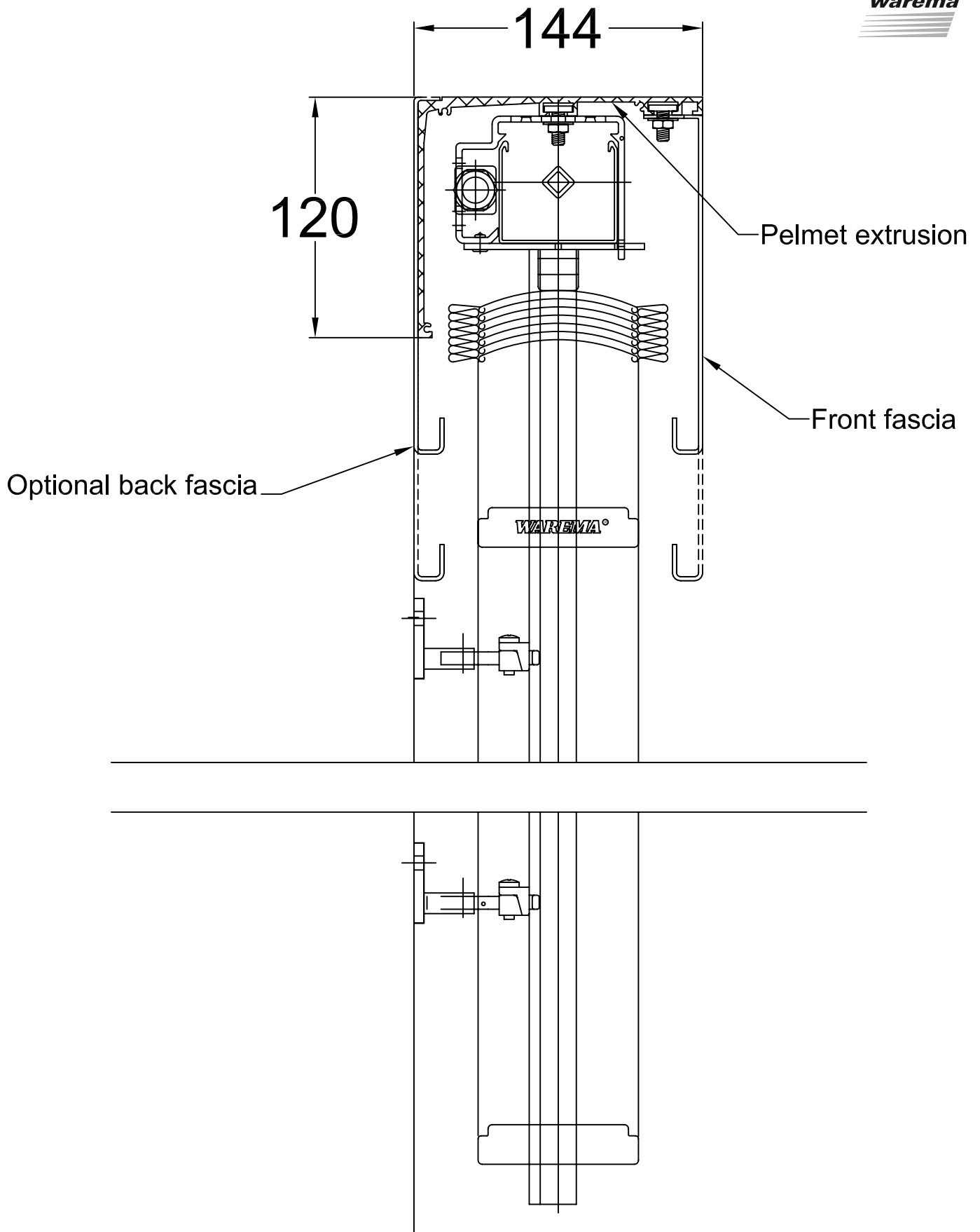
Cover panel BL 31

- U-shaped cover panel, folded, to accommodate baseboards
- Optional 8 mm polystyrene baseboard available



Cover panel, special version, with perforations, grooves or special folds

- Available on request



Detail Type ABL Pelnets



External Venetian Blinds

Data Tables for Dim-out External Venetian Blinds

Stack Height Table for Black-out external venetian blinds when fully retract																					
Operation	Slat width [mm]	Guidance	Type	External Venetian Blind Height / Drop (including Stack) [mm]																	
				1,000	1,200	1,400	1,600	1,800	2,000	2,200	2,400	2,600	2,800	3,000	3,200	3,400	3,600	3,800	4,000	4,200	4,300
Motor	73	Rail	E 73 A6	160	175	185	195	205	215	225	235	245	255	270	280	290	300	310	320	330	335
Motor	93	Rail	E 93/90 A6	150	160	165	175	185	190	200	205	215	225	230	240	245	255	265	270	280	285
Crank	73	Rail	C 73 A6	145	160	170	180	190	200	210	220	230	240	255	265	275	285	295	305	315	320
Crank	93	Rail	C 93/90 A6	135	145	150	160	170	175	185	190	200	210	215	225	230	240	250	255	265	270

Maximum/ Minimum Dimension Table											
Operation	Slat width [mm]	Guidance	Type	Single units				Units linked on a common drive		Number of blinds	Average weight [kg/m ²] ¹⁾
				Width [mm] ⁴⁾		Height [mm]	Surface [m ²]	Width [mm]	Surface [m ²]		
				min. ¹⁾	max.						
Motor	73	Rail	E 73 A6	600	4500	4300	15	12000	23-24 ³⁾	5	3.2
Motor	93	Rail	E 93/90 A6	600	4500	4300	15	12000	24-25 ³⁾	5	3.2
Crank	73	Rail	C 73 A6	450	4500	4300	10	12000	10	5	2.9
Crank	93	Rail	C 93/90 A6	450	4500	4300	10	12000	10	5	2.9
Motor	93		E 90 A5 ³⁾	600	2700	3300	9	8000	20	3	3.2
Crank	93		C 90 A5 ³⁾	600	2700	3300	9	9000	10	3	2.9

¹⁾ Narrower slats may not run straight.

²⁾ The indicated maximum surface areas depend on the individual height.

³⁾ Model with guide rail and light gap cover, available from May 2010

⁴⁾ Width = slat size