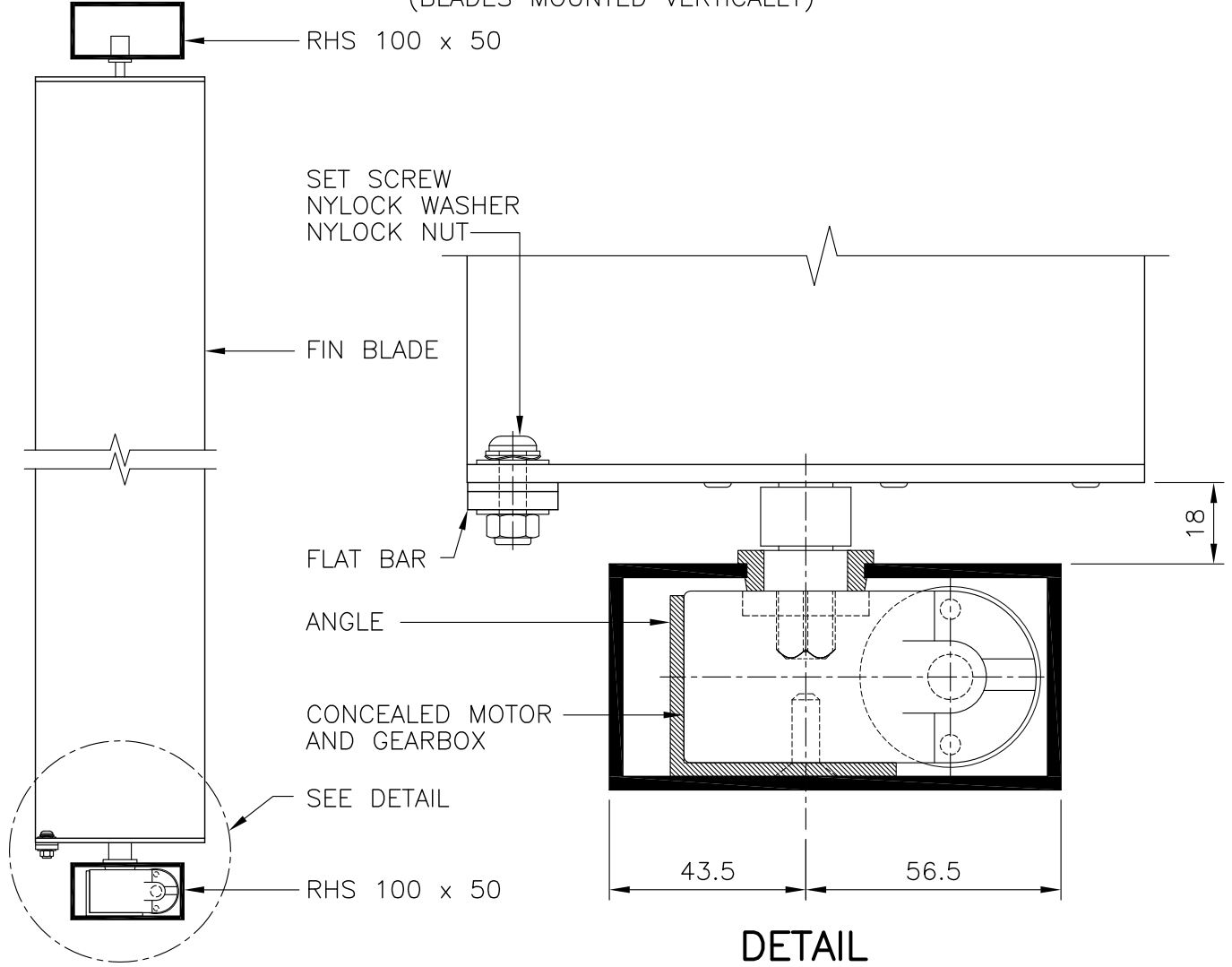
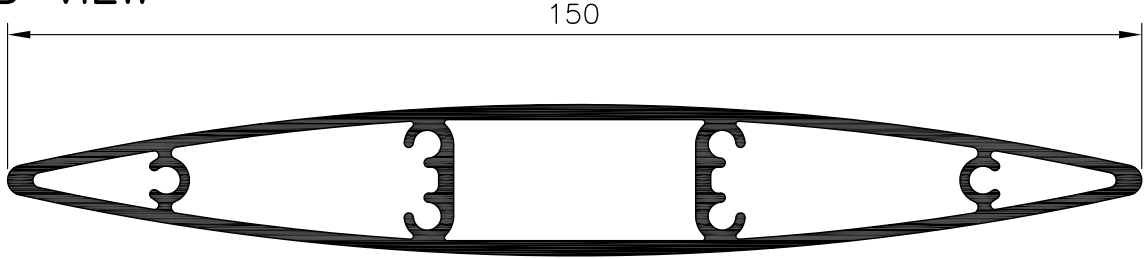


**PLAN SECTION**  
(BLADES MOUNTED VERTICALLY)



**END VIEW**

**DETAIL**



**MF150 BLADE**

**MF150**  
**ELLIPTICAL FIN – MOTORISED**

BLADES CAN ALSO BE MOUNTED HORIZONTALLY  
ALSO AVAILABLE FOR MF90, 200, 300, 400, 600 AND 800

www.maximlouvres.com.au

**maxim**  
louvres

DWG No.: MF150-MOTORISED  
DWG DATE: 16-02-2011