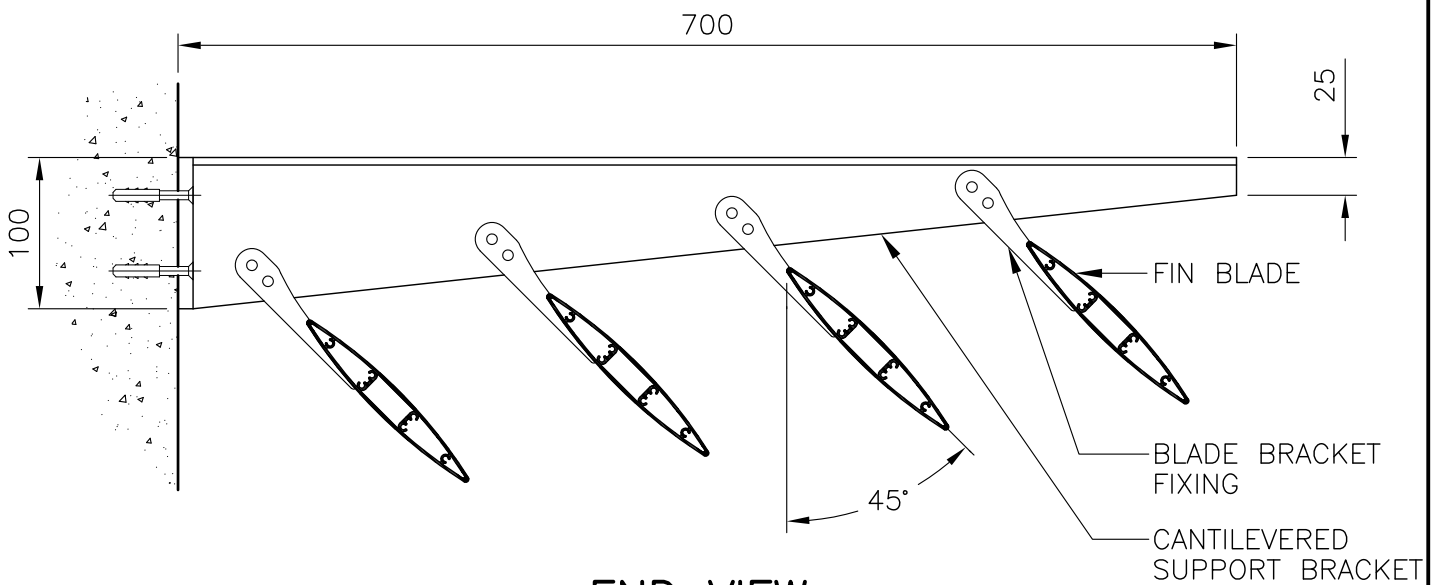
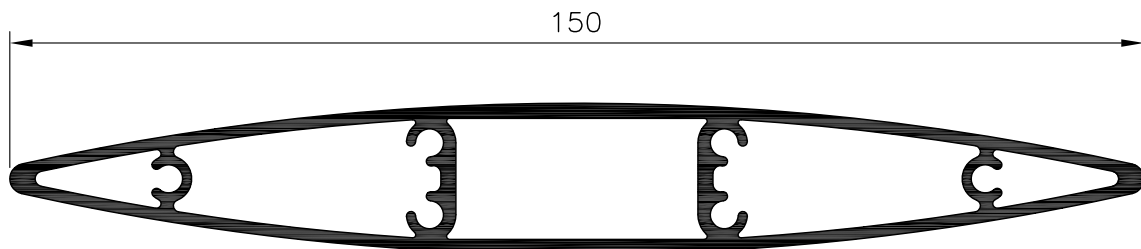


PLAN VIEW



END VIEW



MF150 BLADE

MF150  
ELLIPTICAL FIN  
CONTINUOUS CANTILEVERED

www.maximlouvres.com.au

**maxim**  
louvres

DWG No.: MF150-CONT.CANT.  
DWG DATE: 14-09-2011