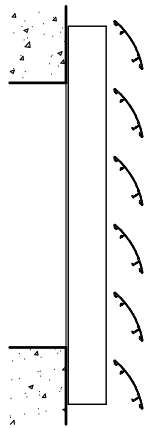
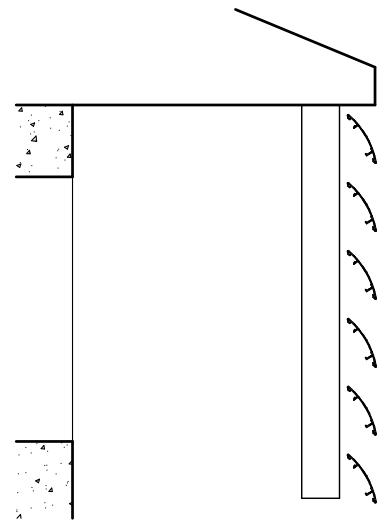


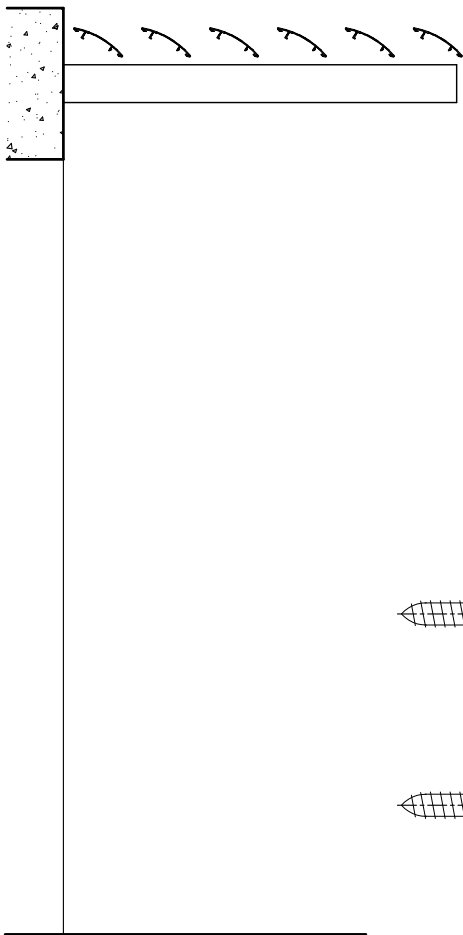
OPTION A



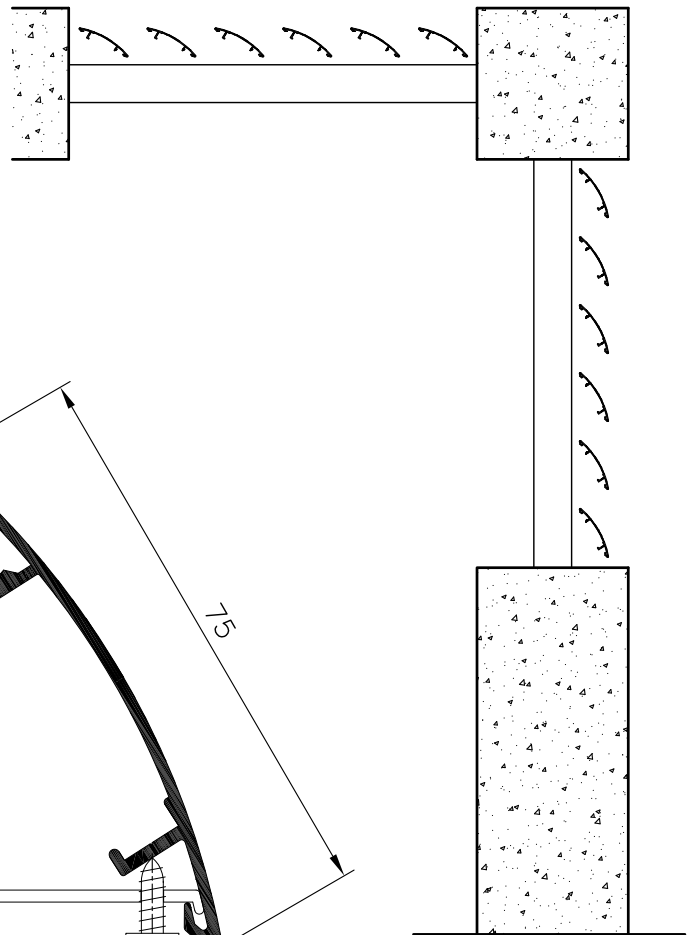
OPTION B



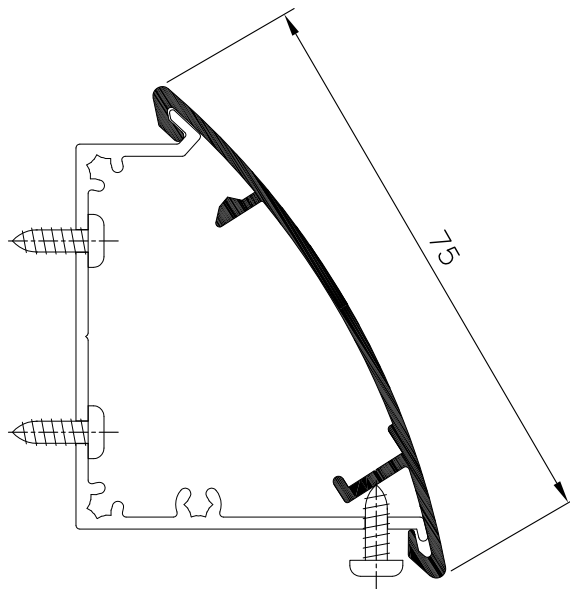
OPTION C



OPTION D



OPTION E



MC75 BLADE
(WITH MOUNTING BRACKET)

MC75F
CONTINUOUS FIXED LOUVRE
INSTALLATION OPTIONS

www.maximlouvres.com.au

maxim
louvres

DWG No.: MC75-FIXEDOPTIONS
DWG DATE: 03-02-2011