

markilux 893

The triangular shading system for those special situations



markilux



rated to
wind resistance class 2
(corresponds to Beaufort 5)

markilux 893

The triangular shading system for those special situations

Design features

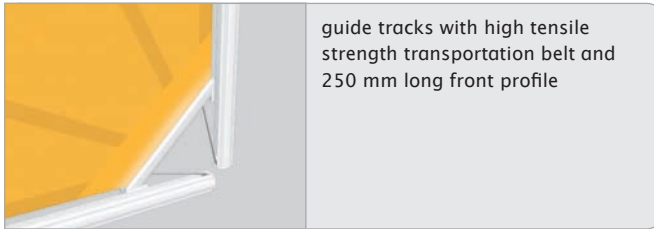
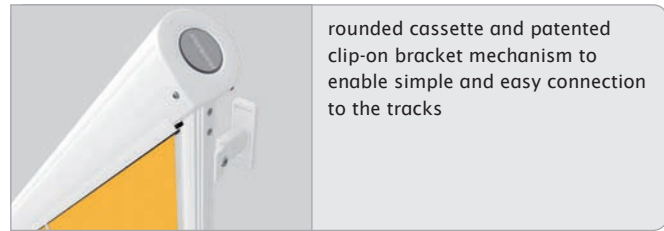
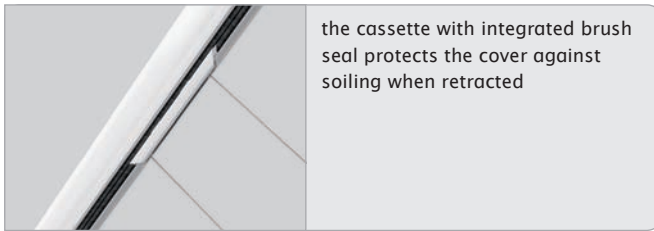
- the teardrop-shaped aluminium cassette and the beautifully crafted guide tracks of this triangular shading system fit in perfectly with virtually any given situation and melt harmoniously into the façade
- when retracted the cover is protected from the weather by the cassette, which encloses it completely
- for long-lasting attractiveness the awning has been powder coated
- awning covers made of acrylic fabric or sunsilk snc with self-cleaning effect

Technical highlights

- robust, self-supporting cassette made of extruded aluminium
- extremely sturdy, stainless steel side cheek, sheathed in plastic and powder coated
- fitted with a motor as standard
- to simplify fixture a broad selection of brackets is available
- brackets with patented clip-on mechanism for simple, problem free installation

Additional features

- radio-controlled motor with radio remote control for ease of use
- an easily installed, radio control light and wind sensor guarantees comfort and a degree of safety - even in your absence



Standard specification
hard-wired motor
bonded awning cover
sunsilk snc fabric
acrylic fabric 34
widely woven acrylic fabric
transolair fabric



Standard frame colours
traffic white - RAL 9016
metallic aluminium - RAL 9006
grey brown - similar to RAL 8019

Optional accessories
radio-controlled motor with remote control
light and wind sensor
non-standard powder-coated finish

Dimensions and configuration options

drop	blind width						minimum width	
	150 75-150	200 151-200	250 201-250	300 251-300	350 301-350	400 351-400	hard-wired motor	radio-controlled motor
100							68	75
150								
200								
250								
300								
350								
400								
450								
500								

dimensions in cm

-  = available, 2 brackets per track
-  = available, 3 brackets per track

Operation

manual operation; handle with bayonet fitting	–
manual operation from inside the building	–
manual operation from the rear	–
hard-wired motor	●
radio-controlled motor	○*

Covers

sunsilk snc (fabric series 324xx/329xx)	● ¹
sunsilk snc signature (fabric series 369xx)	–
acrylic 34 (fabric series 341xx-347xx)	● ¹
widely woven acrylic (fabric series 349xx)	●
sunsilk perla FR (fabric series 374xx/379xx)	–
perfortex (fabric series 333xx)	–
transolair (fabric series 339xx)	●
Soltis 92	○

Miscellaneous

light and wind sensor	○
cover profiles for gap between tracks and cover	–
wedge-in accro bars	–
markilux PVC windows	–

Coupled units

coupled unit, 2 fields	–
coupled unit, 3 fields	–

- = standard specification
- = optional accessories
- = not available
- * = radio-controlled motor using 433 MHz technology
- ¹ = only available with plain fabrics.

Housing tolerances / Awning cover dimensions

please consult the drawing in the sales manual

dimensions in mm

The width of the awning cover is always **less** than the width of the awning.

Made up covers have an angle tolerance of $\pm 0^\circ 30'$ ($\pm 0.5^\circ$).

If fitted **externally**: please give the dimensions and the operation side as seen from the outside.

If fitted **internally**: please give the dimensions and the operation side as seen from the inside.

When ordering please always fill in the **dimension sheet for the markilux 893**. On the basis of this we will make a production drawing. The order is complete only when this drawing has been signed off by you.

In the case of triangular covers the **colour of each individual segment** may be perceived to be different from the others because of the angle at which light hits it.

Extension of motor-driven units takes approximately 24 seconds per metre.





N.B! If the motor is used **continuously** it will stop automatically after 3 to 4 minutes to **prevent overheating**.

In the case of a **bank of awnings operating simultaneously**, the same speed of rotation of the motors cannot be guaranteed because of the internal tolerances of the motors.

Soltis 86 is available on request.

Coupled folding-arm awnings are not available in this model.

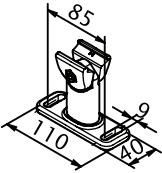
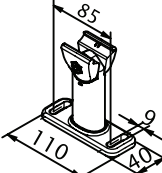
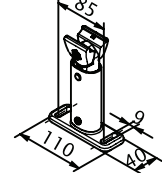


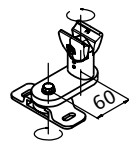
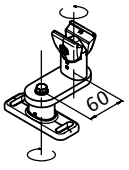
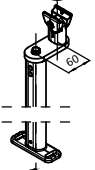
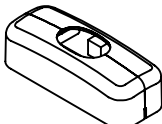
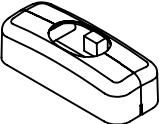
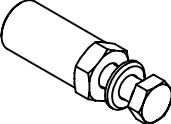
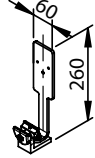
Frame colours

traffic white - RAL 9016		●
metallic aluminium - RAL 9006		●
grey brown - similar to RAL 8019		●
non-standard powder-coated finish		○

* Colours similar to the RAL chart - these may differ slightly from those depicted in both hue and finish.

Fixtures, fittings and accessories

markilux 893

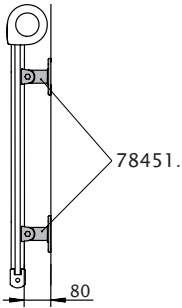
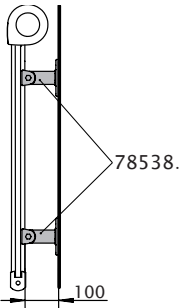
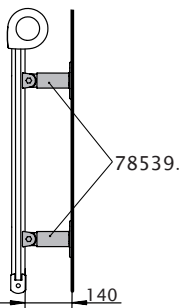
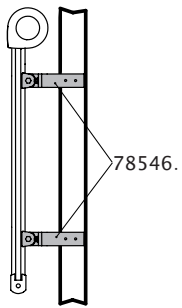
 <p>Fixture type 20 Track bracket with adjustable head</p> <p>80 mm</p> <p>78451.</p>	 <p>Fixture type 21 Track bracket with adjustable head</p> <p>100 mm</p> <p>78538.</p>	 <p>Fixture type 22 Track bracket with adjustable head</p> <p>140 mm</p> <p>78539.</p>
 <p>Track bracket with adjustable head</p> <p>100 - 500 mm</p> <p>78540.</p>	 <p>Fixture type 30 Flat track bracket with adjustable head</p> <p>78546.</p>	 <p>Universal track bracket</p> <p>80 mm</p> <p>78542.</p>
 <p>Universal track bracket</p> <p>100 mm</p> <p>78543.</p>	 <p>Universal track bracket</p> <p>140 - 500 mm</p> <p>78545.</p>	 <p>Decorative cap assembly for track bracket</p> <p>for: 78081., 78086., 78094., 78247., 78451., 78538., 78543., 78454., 78663.</p> <p>76603.</p>
 <p>Decorative cap assembly for track bracket</p> <p>for: 78082., 78087., 78095., 78105., 78107., 78108., 78251., 78539., 78540., 78545., 78665., 78664., 78685.</p> <p>76604.</p>	 <p>Reducing bolt assembly M 10 - M 6 / SW 13</p> <p>30 mm length (please refer to the section "Technical Information")</p> <p>753211</p>	 <p>Bracket assembly for light/ wind/rain sensor</p> <p>78547.</p>

. = Please insert the RAL No. (please refer to the section on "Coatings")

Fixture combinations

all brackets incur a surcharge

Fixture type

<p>20</p>		<p>· from a drop of 2501 mm, 3 brackets per track</p>
<p>21</p>		
<p>22</p>		
<p>30</p>		

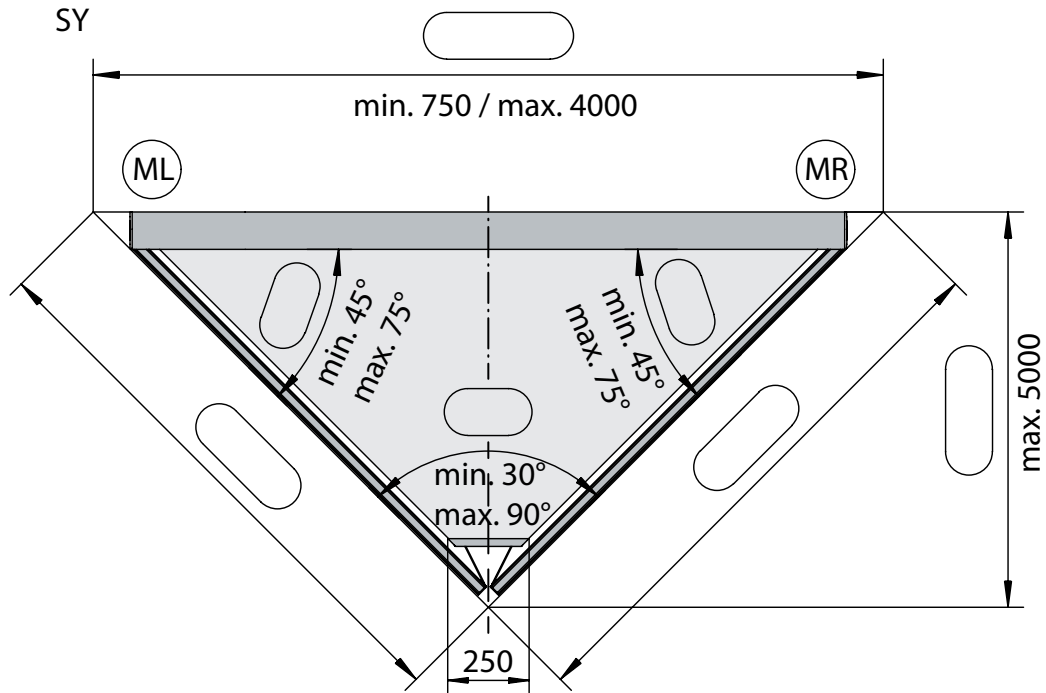
Individual bracket combinations - see "Fixtures, fittings and accessories". Make sure you note the minimum quantity required for the width and unit height you have ordered!

Dimension sheet triangular solar shading system (dimensions may deviate slightly)

Please enter all three side lengths or two side lengths and one angle!

①

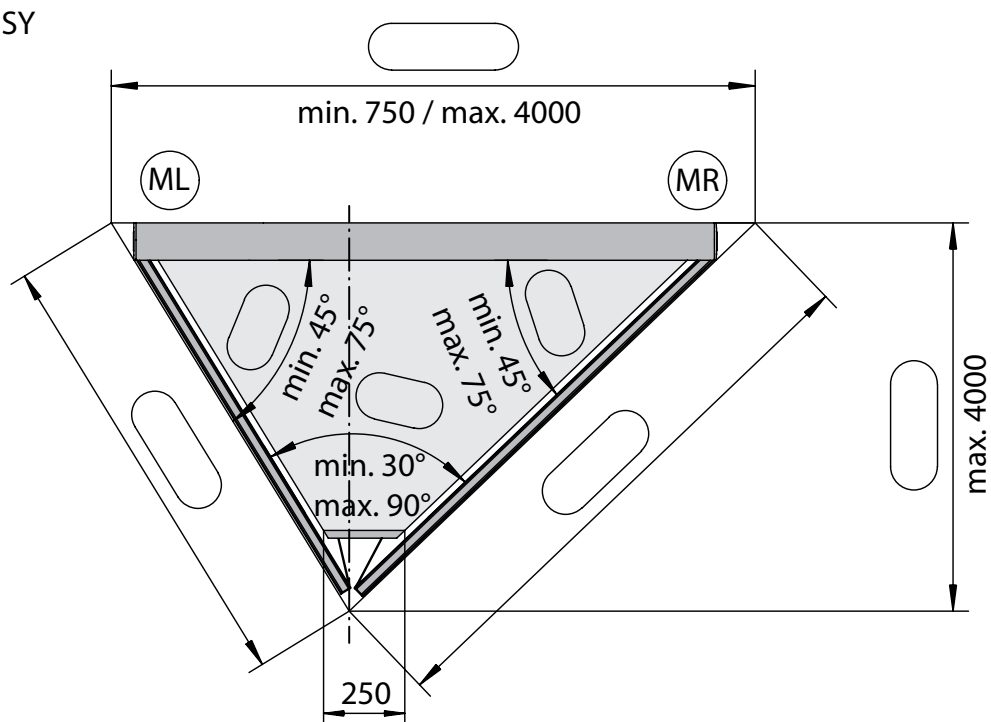
SY



dimensions in mm

②

USY

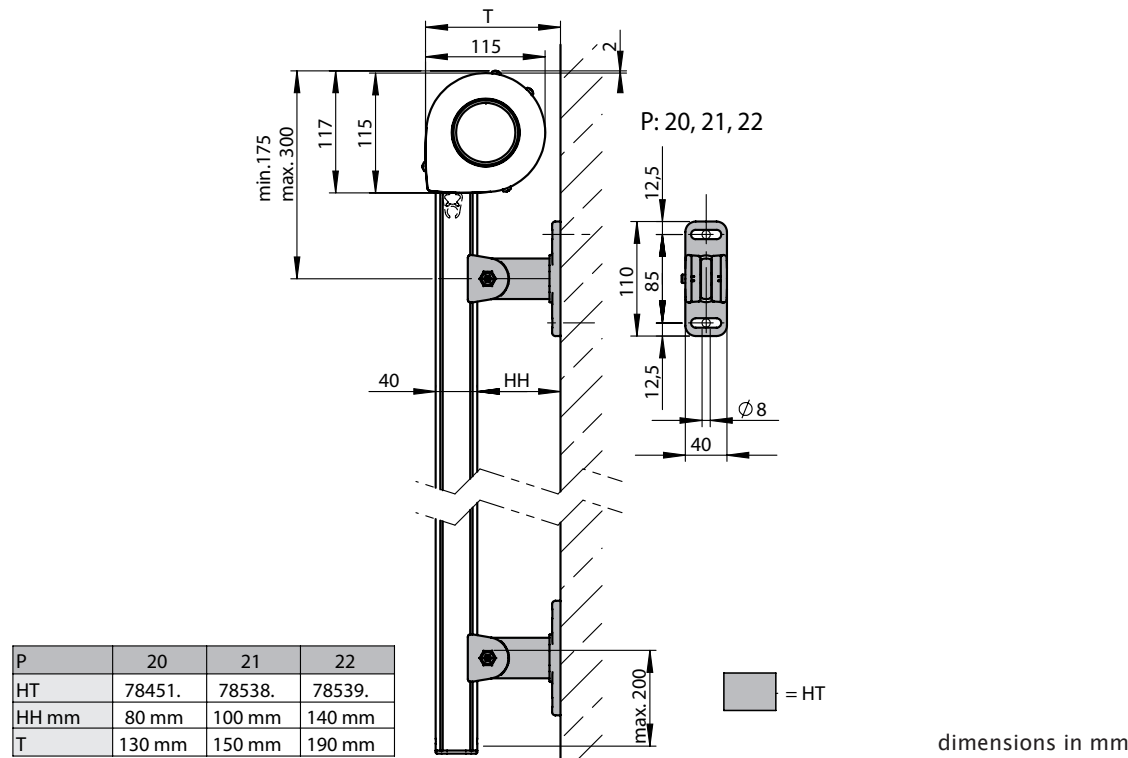


dimensions in mm

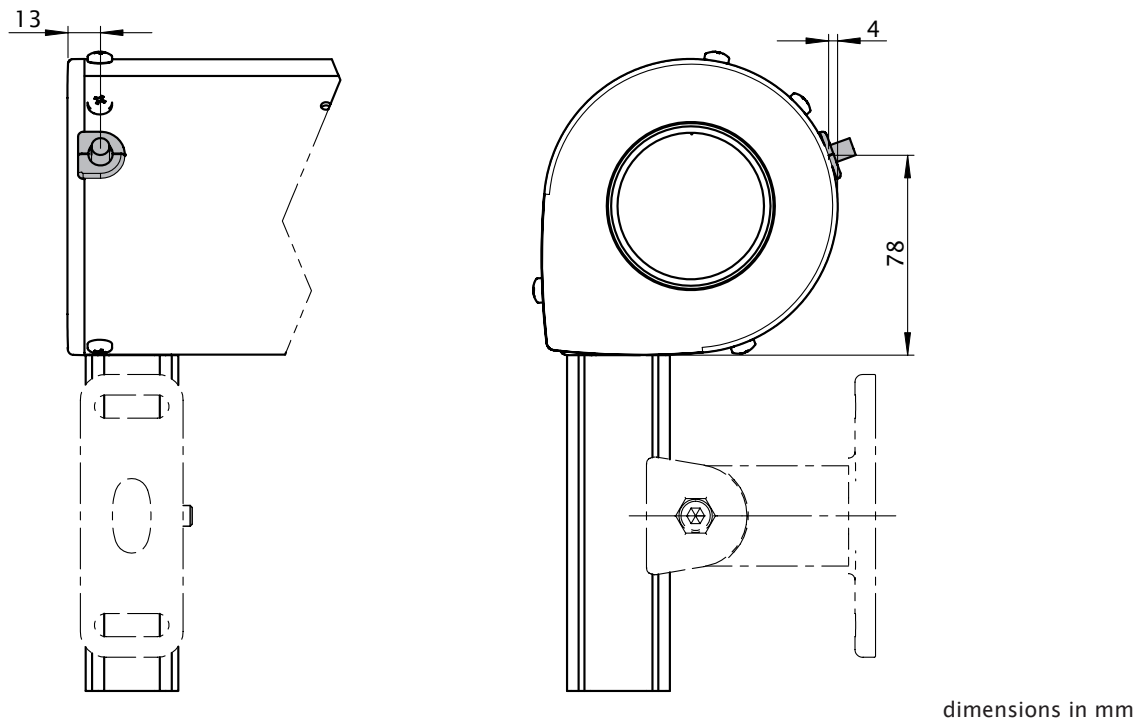
- SY = symmetrical
- USY = asymmetrical
- ML = motor on the left
- MR = motor on the right

How to install the markilux 893

Installation



Cable exit point in the case of motor-driven units



- P = fixture type
- HT = bracket
- HH = fixture bracket height
- T = depth