



## markilux 760 / 860

The vertical cassette blind with guide tracks and tensioning system that gives excellent cover tension and an elegant, refined appearance



**markilux**



rated to wind resistance class 3  
(corresponds to Beaufort 6)

## markilux 760 / 860

The vertical cassette blind with guide tracks and tensioning system that gives excellent cover tension and an elegant, refined appearance

### Design features

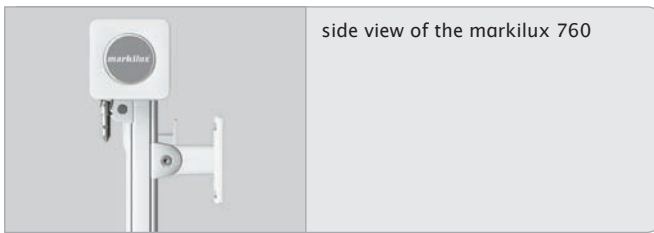
- tensioned vertical blind: complete protection from the sun and inquisitive glances
- markilux 760: compact, square and discreet, the cassette profile made of extruded aluminium is only 95 mm in height
- stand-off fixture from the façade. This embellishes the building still further
- for long-lasting attractiveness the awning has been powder coated
- when retracted the cover is protected from the weather by the cassette, which encloses it completely

### Technical highlights

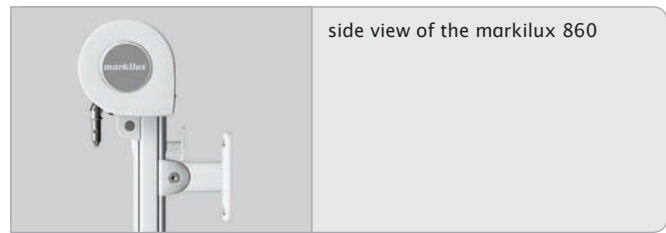
- the awning cover is guided along sturdy, aluminium guide tracks
- robust, self-supporting cassette made of extruded aluminium
- extremely sturdy, stainless steel side cheek, sheathed in plastic and powder coated
- special vario-belts ensure optimum cover tension when the awning is completely extended
- operation by means of a smooth gearbox and universal joint

### Additional features

- hard-wired motor operation (optionally with automatic weather controls) for straightforward and easy operation
- radio-controlled motor with radio remote control for ease of use
- an easily installed, radio control light and wind sensor guarantees comfort and a degree of safety - even in your absence
- markilux PVC window for the markilux 860 for covers in acrylic or sunsilk fabric



side view of the markilux 760



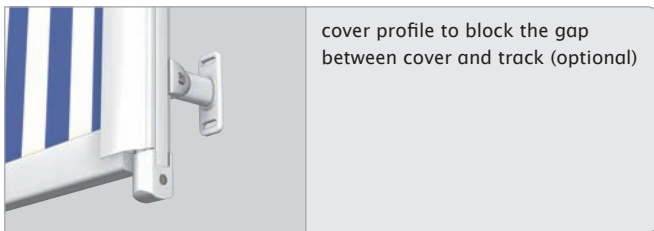
side view of the markilux 860



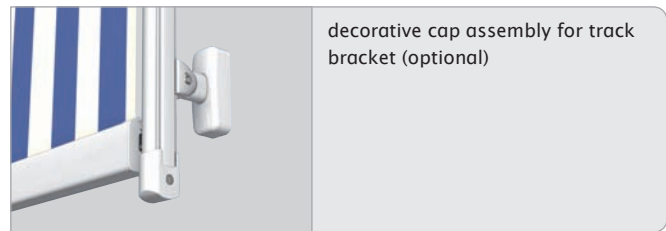
reveal fixture, square cassette, markilux 760



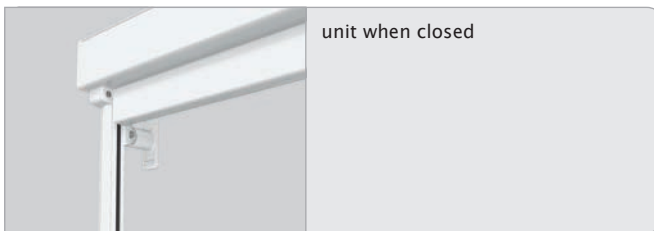
reveal fixture, round cassette, markilux 860



cover profile to block the gap between cover and track (optional)



decorative cap assembly for track bracket (optional)



unit when closed

### Standard specification

manual operation; handle with bayonet fitting

bonded awning cover

sunsilk snc fabric

sunsilk snc signature fabric

acrylic fabric 34

widely woven acrylic fabric

perfortex fabric

transolair fabric

### Standard frame colours

traffic white - RAL 9016

metallic aluminium - RAL 9006

grey brown - similar to RAL 8019

### Optional accessories

hard-wired or radio-controlled motor with remote control

light and wind sensor

cover profiles for gap between tracks and cover

markilux PVC windows

non-standard powder-coated finish

## Dimensions and configuration options

		fixture / order width											minimum width	
		75	100	125	165	205	245	285	325	350	375	400		
		62-75	76-100	101-125	126-165	166-205	206-245	246-285	286-325	326-350	351-375	376-400		
	overall width motor operation	+ 5	+ 5	+ 5	+ 5	+ 5	+ 5	+ 5	+ 5	+ 5	+ 5	+ 5	hard-wired motor	radio-controlled motor
	overall width manual operation	+ 8	+ 8	+ 8	+ 8	+ 8	+ 8	+ 8	+ 8	+ 8	+ 8	+ 8		
unit height	150												58.5	76
	200													
	250													
	300													
	350 <sup>1)</sup>													
	400 <sup>1)</sup>													

1) from an extension of 301 cm, 3 brackets per track

dimensions in cm

- = available, 2 brackets per track
- = available, 3 brackets per track

Operation	
manual operation; handle with bayonet fitting	●
manual operation from inside the building	-
manual operation from the rear	-
hard-wired motor	○
radio-controlled motor	○*
Covers	
sunsilk snc (fabric series 324xx/329xx)	● <sup>1</sup>
sunsilk snc signature (fabric series 369xx)	● <sup>1</sup>
acrylic 34 (fabric series 341xx-347xx)	● <sup>2</sup>
widely woven acrylic (fabric series 349xx)	● <sup>3</sup>
sunsilk perla FR (fabric series 374xx/379xx)	○ <sup>4</sup>
perfortex (fabric series 333xx)	● <sup>2</sup>
transolair (fabric series 339xx)	● <sup>5</sup>
Soltis 92	○ <sup>6</sup>
Miscellaneous	
light and wind sensor	○
cover profiles for gap between tracks and cover	○
wedge-in accro bars	-
markilux PVC windows	○ <sup>7</sup>
Coupled units	
coupled unit, 2 fields	-
coupled unit, 3 fields	-

- = standard specification
- = optional accessories
- = not available
- \* = radio-controlled motor using 433 MHz technology
- <sup>1</sup> = in the case of the markilux 760 the maximum unit height is 300 cm
- <sup>2</sup> = in the case of the markilux 760 the maximum unit height is 250 cm
- <sup>3</sup> = in the case of the markilux 760 from a fixture width of 329 cm and a unit height of 335 cm with horizontal seam, in the case of the markilux 860 from a fixture width of 329 cm and a unit height of 336 cm with horizontal seam
- <sup>4</sup> = in the case of the markilux 760 the maximum unit height is 250 cm
- <sup>5</sup> = cover seamless, in the case of the markilux 760 from a fixture width of 261 cm and a unit height of 267 cm with horizontal seam, in the case of the markilux 860 from a fixture width of 261 cm and a unit height of 268 cm with horizontal seam
- <sup>6</sup> = cover seamless, in the case of the markilux 760 from a fixture width of 186 cm and a unit height of 192 cm with horizontal seam, in the case of the markilux 860 from a fixture width of 186 cm and a unit height of 193 cm with horizontal seam
- <sup>7</sup> = only possible in the markilux 860 with covers made of acrylic (not widely woven) or sunsilk fabric, see section "Optional Accessories"

Housing tolerances / Awning cover dimensions	Width	Drop	
		760	860
housing tolerance	+5 / -10		
awning cover width = fixture width less	80		
blind cover length = unit height less		195	205

dimensions in mm

The width of the awning cover is always less than the width of the awning.

**Standard manual operation** with bayonet fitting and universal joint made of stainless steel is operated from outside the building (winding handle lengths 110, 140, 160, 180 or 220 cm).

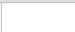



In the case of manual operation it takes approximately 24 turns per metre of overall unit height to extend the system.

**Extension when using a motor** takes approximately 15 seconds per metre.

**N.B.!** If the motor is used continuously it will stop automatically after 3 to 4 minutes to prevent overheating.

In the case of a bank of awnings operating simultaneously, the same speed of rotation of the motors cannot be guaranteed because of the internal tolerances of the motors.

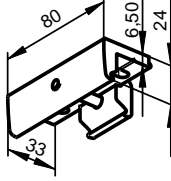
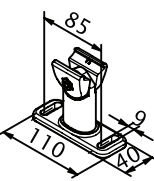
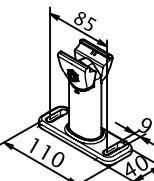
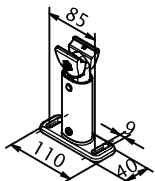
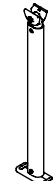
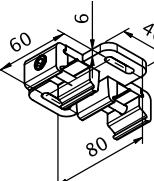
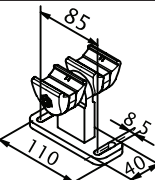
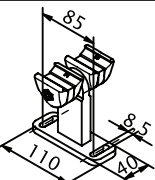
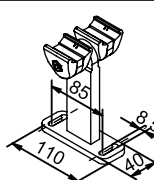

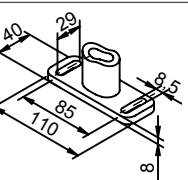
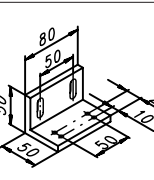
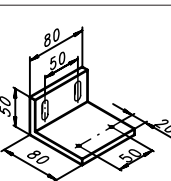
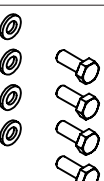
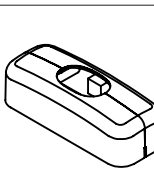
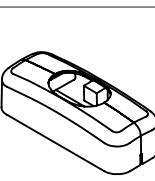
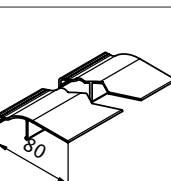
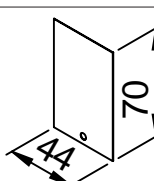
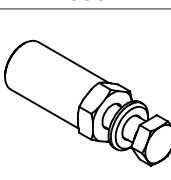
Coupled blinds are not available in this model.

Frame colours		
traffic white - RAL 9016		●
metallic aluminium - RAL 9006		●
grey brown - similar to RAL 8019		●
non-standard powder-coated finish		○

\* Colours similar to the RAL chart - these may differ slightly from those depicted in both hue and finish.

## Fixtures, fittings and accessories

### markilux 760 / 860

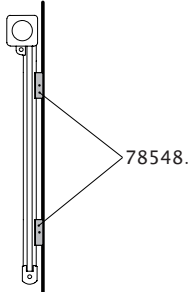
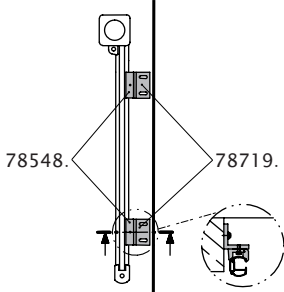
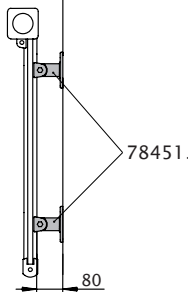
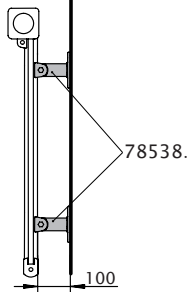
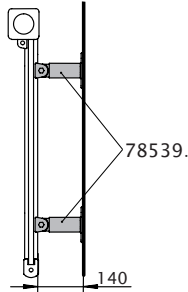
 <p>80 60 24 33</p> <p>Fixture type 10, 15 Flat track bracket</p> <p>78548.</p>	 <p>85 110 40</p> <p>Fixture type 20 Track bracket with adjustable head</p> <p>80 mm</p> <p>78451.</p>	 <p>85 110 40</p> <p>Fixture type 21 Track bracket with adjustable head</p> <p>100 mm</p> <p>78538.</p>	<p>Specification</p>
 <p>85 110 40</p> <p>Fixture type 22 Track bracket with adjustable head</p> <p>140 mm</p> <p>78539.</p>	 <p>Track bracket with adjustable head</p> <p>100 - 500 mm</p> <p>78540.</p>	 <p>60 40 80</p> <p>Double flat track bracket</p> <p>2 single units</p> <p>78671.</p>	<p>markilux 720 / 820</p>
 <p>85 110 40</p> <p>Double track bracket with adjustable head,</p> <p>80 mm</p> <p>2 single units</p> <p>78654.</p>	 <p>85 110 40</p> <p>Double track bracket with adjustable head,</p> <p>100 mm</p> <p>2 single units</p> <p>78658.</p>	 <p>85 110 40</p> <p>Double track bracket with adjustable head,</p> <p>140 mm</p> <p>2 single units</p> <p>78683.</p>	<p>markilux 725 / 825</p>
 <p>Double track bracket with adjustable head,</p> <p>140 - 500 mm</p> <p>2 single units</p> <p>78685.</p>	 <p>40 29 85 110 40</p> <p>Fixture dimensions of adjustable top track brackets</p>	 <p>80 50 20 50</p> <p>Fixture type 15 Additional bracket bearing/motor side</p> <p>50 x 50 x 80 mm (fixture between beams, walls etc.)</p> <p>please order additional accessories 787211!</p> <p>78719.</p>	<p>markilux 760 / 860</p>
 <p>80 50 20 80 50</p> <p>Fixture type 15 Additional bracket drive side</p> <p>80 x 50 x 80 mm (fixture between beams, walls etc.)</p> <p>please order additional accessories 787211!</p> <p>78720.</p>	 <p>Fixture type 15 Accessories for two angle brackets 78719. or 78720.</p> <p>787211.</p>	 <p>Decorative cap assembly for track bracket</p> <p>for: 78081., 78086., 78094., 78247., 78451., 78538., 78543., 78454., 78663.</p> <p>76603.</p>	<p>markilux 791/891</p>
 <p>Decorative cap assembly for track bracket</p> <p>for: 78082., 78087., 78095., 78105., 78107., 78108., 78251., 78539., 78540., 78545., 78665., 78664., 78685.</p> <p>76604.</p>	 <p>Gap cover profile</p> <p>78999.</p>	 <p>Adhesive plate for gap cover profile 78999.</p> <p>70 44</p> <p>79900.</p>	<p>markilux 740 / 840</p>
 <p>Reducing bolt assembly M 10 - M 6 / SW 13</p> <p>30 mm length (please refer to the section "Technical Information")</p> <p>753211</p>			<p>markilux 893</p>
			<p>markilux 869</p>
			<p>Optional Accessories</p>

. = Please insert the RAL No. (please refer to the section on "Coatings")

## Fixture combinations

all brackets incur a surcharge

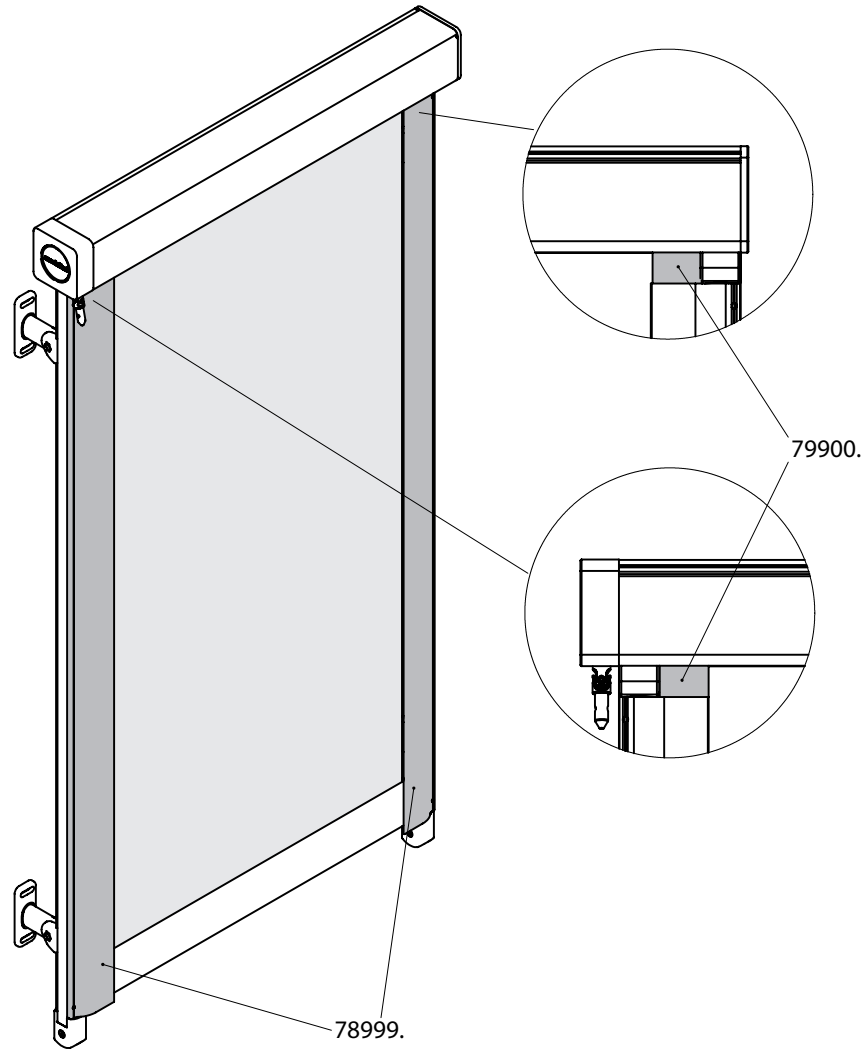
### Fixture type

<p>10</p>		
<p>15</p>		
<p>20</p>		<p>· from a drop of 3001 mm, 3 brackets per track</p>
<p>21</p>		
<p>22</p>		

Individual bracket combinations - see "Fixtures, fittings and accessories". Make sure you note the minimum quantity required for the width and unit height you have ordered!

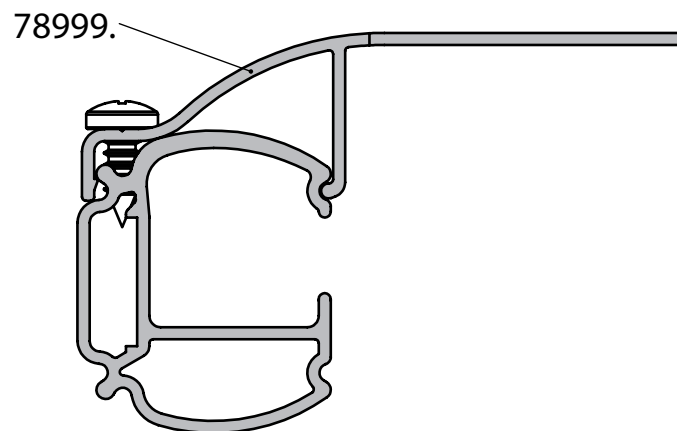
Fitting of the gap cover profile to block the gap between cover and tracks (optional)

Example in the case of the square cassette



dimensions in mm

Cross section of gap cover profile

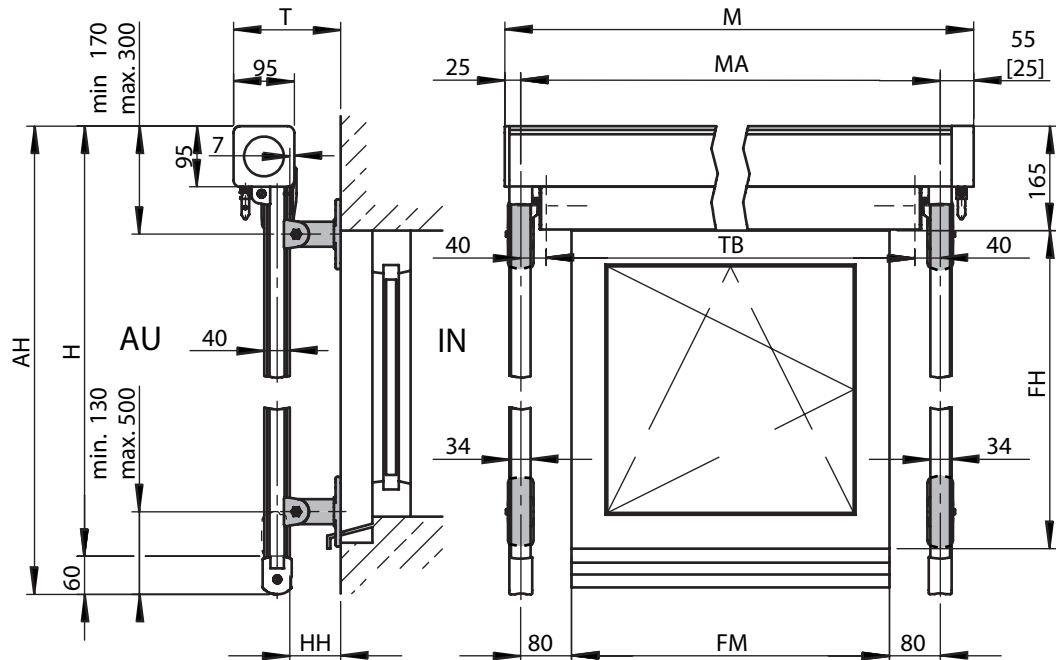


dimensions in mm

78999. = gap cover profile  
79900. = adhesive plate for gap cover profile 78999.

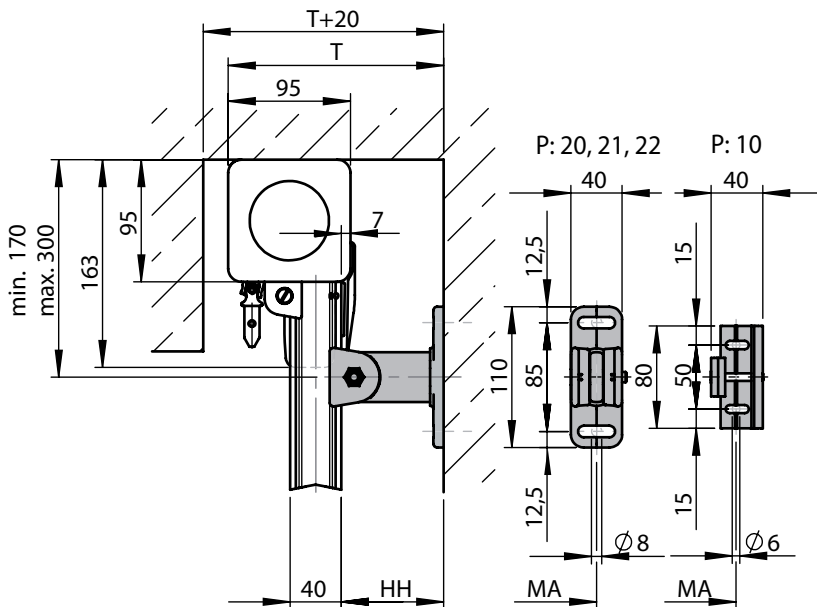
## How to install the markilux 760

### Dimension overview



dimensions in mm

### Face fixture



P	10	20	21	22
HT	78548.	78451.	78538.	78539.
HH	15 mm	80 mm	100 mm	140 mm
T	103 mm	168 mm	188 mm	228 mm

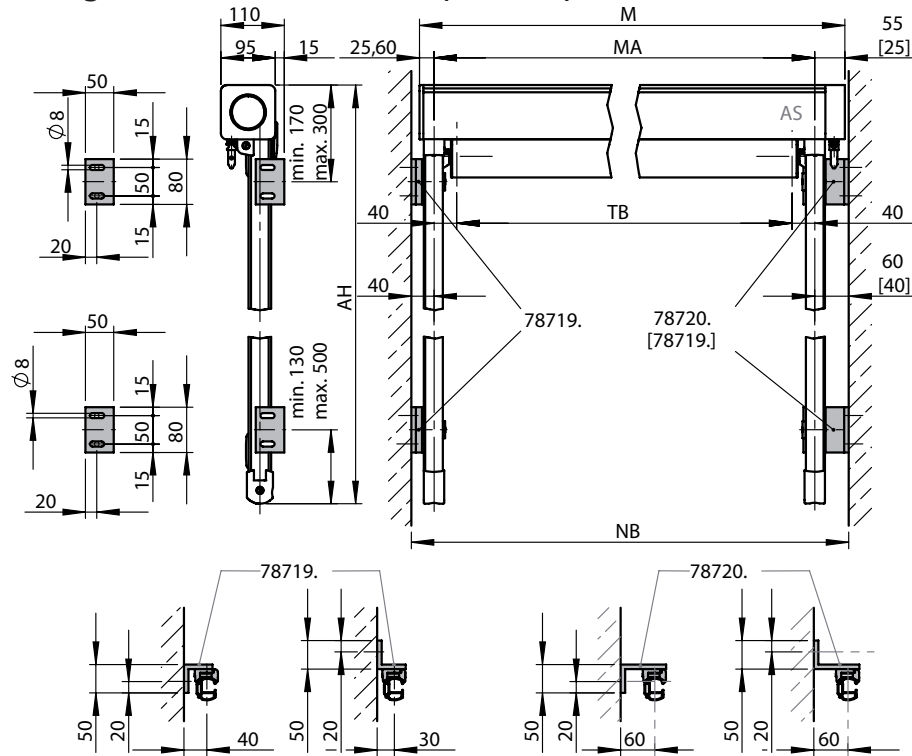
- AH = unit height = order height = drop "H" + 60 mm end cap overhang
- H = drop
- T = depth
- M = overall awning width
- MA = awning fixture width = fixture width = order width
- TB = cover width
- AU = exterior
- IN = interior
- HH = fixture bracket height
- FH = façade height
- FM = façade width
- HT = bracket
- P = fixture type
- [...] = dimensions in the case of motor operation

dimensions in mm



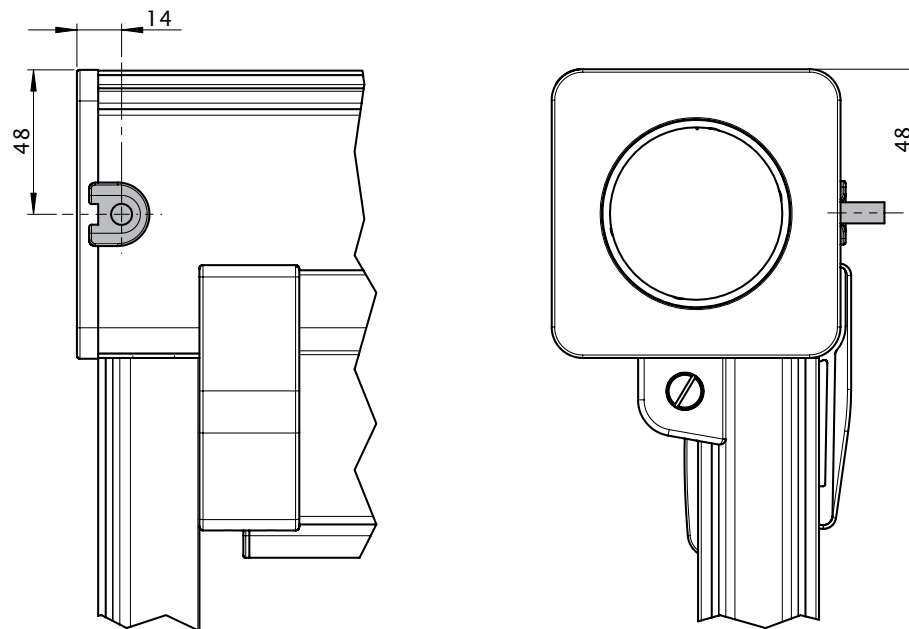
## How to install the markilux 760

reveal fixture for gearbox and motor respectively (fixture method 15)



dimensions in mm

Cable exit point in the case of motor-driven units

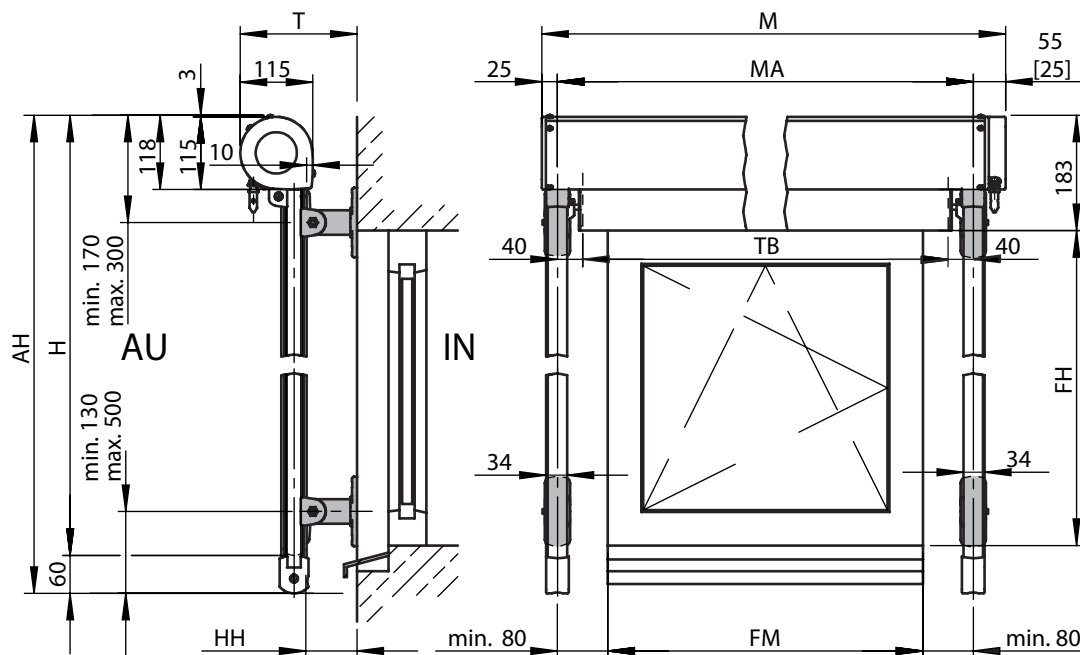


dimensions in mm

- AH = unit height = order height = drop "H" + 60 mm end cap overhang
- M = overall awning width
- MA = awning fixture width = fixture width = order width
- TB = cover width
- NB = reveal width
- AS = operation side
- [...] = dimensions in the case of motor operation
- 78719 = Additional angle bracket, bearing/motor side
- 78720 = Additional angle bracket gearbox side

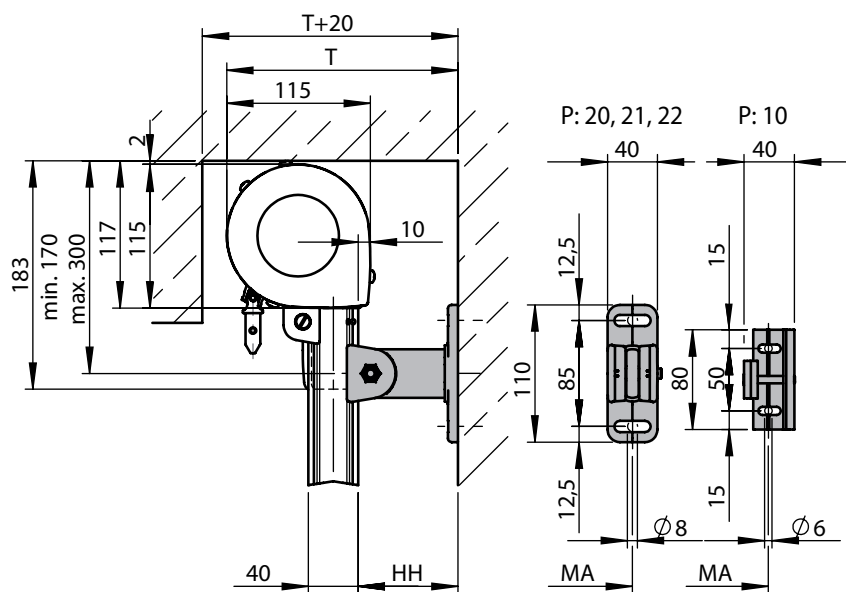
## How to install the markilux 860

### Dimension overview



dimensions in mm

### Face fixture



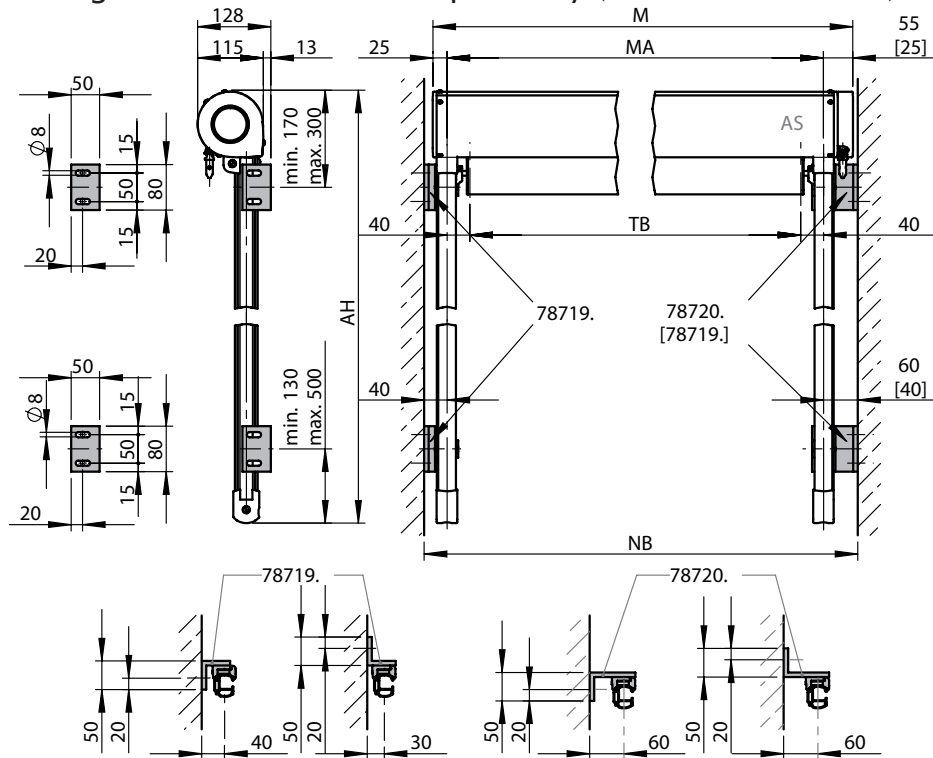
P	10	20	21	22
HT	78548.	78451.	78538.	78539.
HH	15 mm	80 mm	100 mm	140 mm
T	120 mm	185 mm	205 mm	245 mm

- AH = unit height = order height = drop "H" + 60 mm end cap overhang
- H = drop
- T = depth
- M = overall awning width
- MA = awning fixture width = fixture width = order width
- TB = cover width
- AU = exterior
- IN = interior
- HH = fixture bracket height
- FH = façade height
- FM = façade width
- HT = bracket
- P = fixture type
- [...] = dimensions in the case of motor operation

dimensions in mm

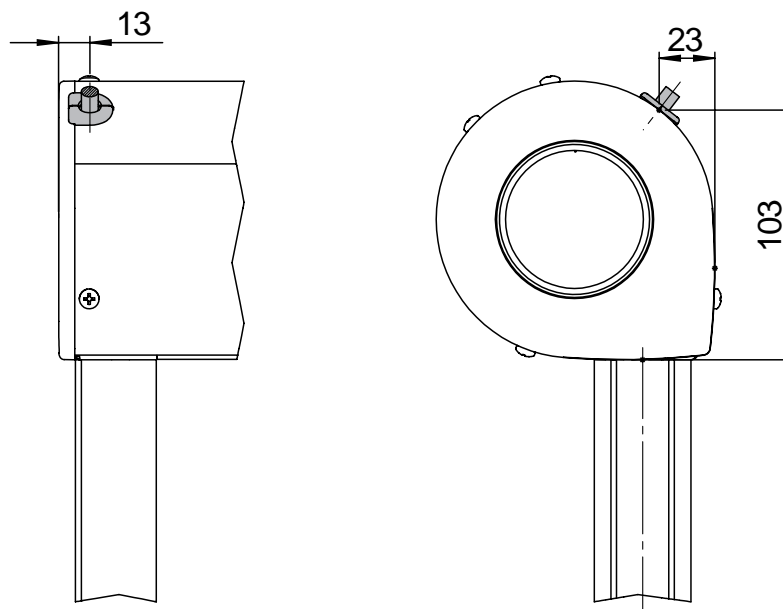
## How to install the markilux 860

reveal fixture for gearbox and motor respectively (fixture method 15)



dimensions in mm

Cable exit point in the case of motor-driven units



dimensions in mm

- AH = unit height = order height = drop "H" + 60 mm end cap overhang
- M = overall awning width
- MA = awning fixture width = fixture width = order width
- TB = cover width
- NB = reveal width
- AS = operation side
- [...] = dimensions in the case of motor operation
- 78719 = Additional angle bracket, bearing/motor side
- 78720 = Additional angle bracket gearbox side

