

PLATINUM SMART-HEAT

Soft, radiant heat
and an ultra-thin
design

Non-glowing - the Platinum Smart-Heat™ Electric complements the atmosphere of any home or commercial environment.



Platinum Smart-Heat™ Electric
1500W




Wind and weather resistant, the Platinum Smart-Heat™ Electric provides soft, radiant heat. One or more heaters can be switched on and off simultaneously from a single remote-located switch.

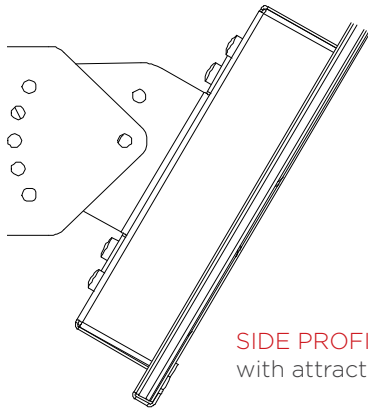
Features

- 1500W Output
- Ultra Thin and Stylish
- Efficient Directional Spot Heating
- Bracket allows for 60 degrees of motion top to bottom
- Weather resistant (IPX 5) and wind resistant
- Can be integrated into smart control systems. One or more units can be switched on and off simultaneously from a single remote located switch.
- Multiple Mounting Options - Wall, Ceiling, Pole Suspended, Chain Suspended and Recessed (Flush Mounted).



Specifications

<p style="text-align: center;">PLATINUM SMART-HEAT</p>	
Part no.*	2620230
Heat Output (Watts)	1500W
Finish	High-temperature Coating
Power connection (Volts/Amps)	240V /6.5Amp
Dimensions excluding bracket WxHxDmm	960 x 162 x 40mm
Approx. Weight (kg)	6.2kg
<p><i>*Must only be installed by a licensed technician</i></p>	



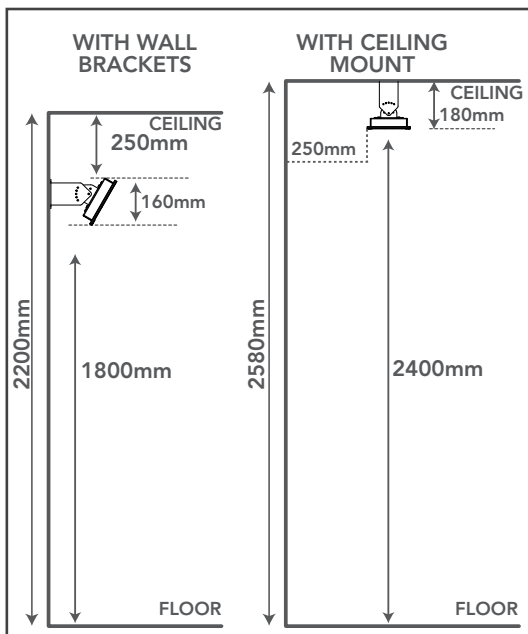
SIDE PROFILE: Slim and streamlined with attractive black face

Dimensions (all measurements are in mm)

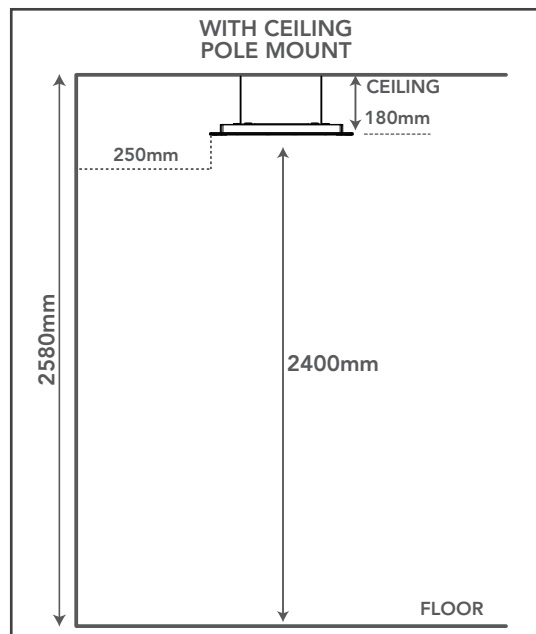


Recommended Minimum Installation Clearances

WALL & ROOF MOUNTING

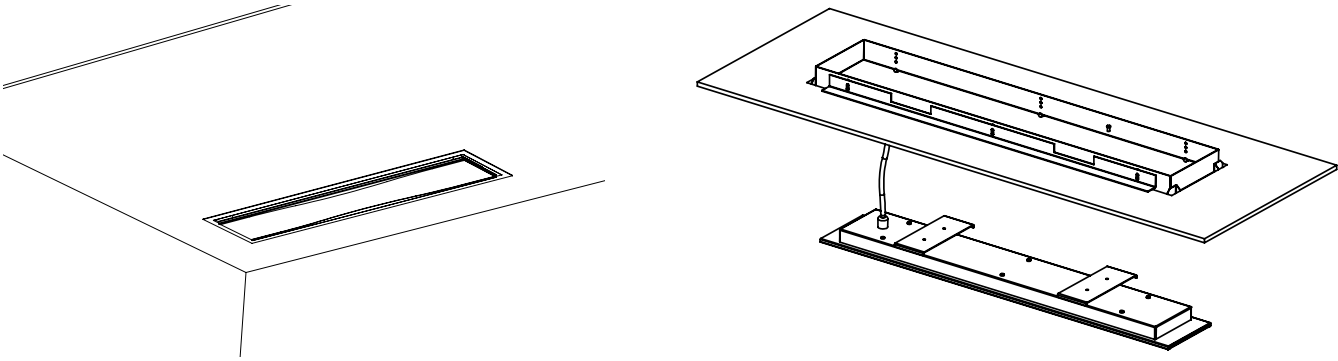


CEILING POLE MOUNTING

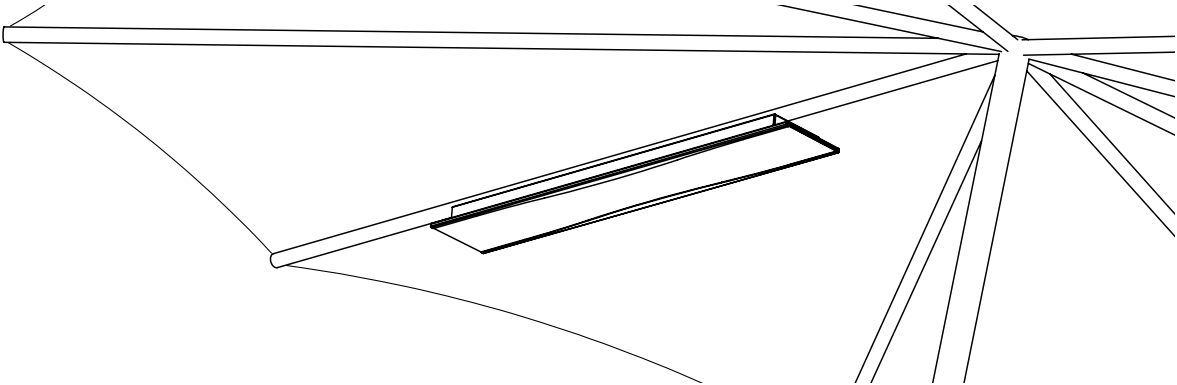


Multiple Mounting Options

Recessed Mounting



Umbrella Kit



Ceiling Pole Suspended

