

Mode Roller Blind

Product Information

Mode Roller Blind is elegant in appearance, Verosol's Mode Roller Blind is the answer to a premium roller blind.

Premium quality, feather-light operation, optimum gearing with a stainless steel chain. Incorporating a tuned counter-balancing spring, providing exceptional ease of operation.

With the use of unique stainless steel components merged into a sleek modern design, this makes the Mode Roller Blind one of the most exclusive roller blinds in the market.

Further Information

To find out more information phone Verosol Customer Care on 1800 721 404 or visit www.verosol.com.au



Technical Information

Product Code	R207.0	
Product Name	Mode Roller Blind	
Operation	Stainless Steel Chain Operation	
	32mm Ball Chain	
Dimensions	Width	600mm minimum - 2700mm maximum
	Drop	500mm minimum - 3000mm maximum
	Maximum Area	8m ²
Top Mounting Profile	Material	Extruded Aluminium Alloy
	Dimensions	36mm W x 11mm H
	Colours	Anodised: Clear
Roller Tube	Standard	36mm tube diameter
	Optional	45mm tube diameter is also available [chain operated only]
Base Rail	Flat [11mm x 22mm], Round [22mm], Verosol [17mm x 28mm] or Elliptical [11mm x 22mm]	
	Colours	Paint: White, Black and Barley Anodised: Clear
Control	Mechanism	Chain drive is die cast zinc in a brushed alloy finish. Chain drive is assisted by a counter balancing spring, ensuring smooth and consistent operation.
	Colours	Paint: White, Black and Barley Anodised: Clear
	Chain	PVC, Nickel Plated Steel or Stainless Steel
Brackets	Material	Spring loaded electroplated steel
	Colours	Silver

Turn over for optional extras

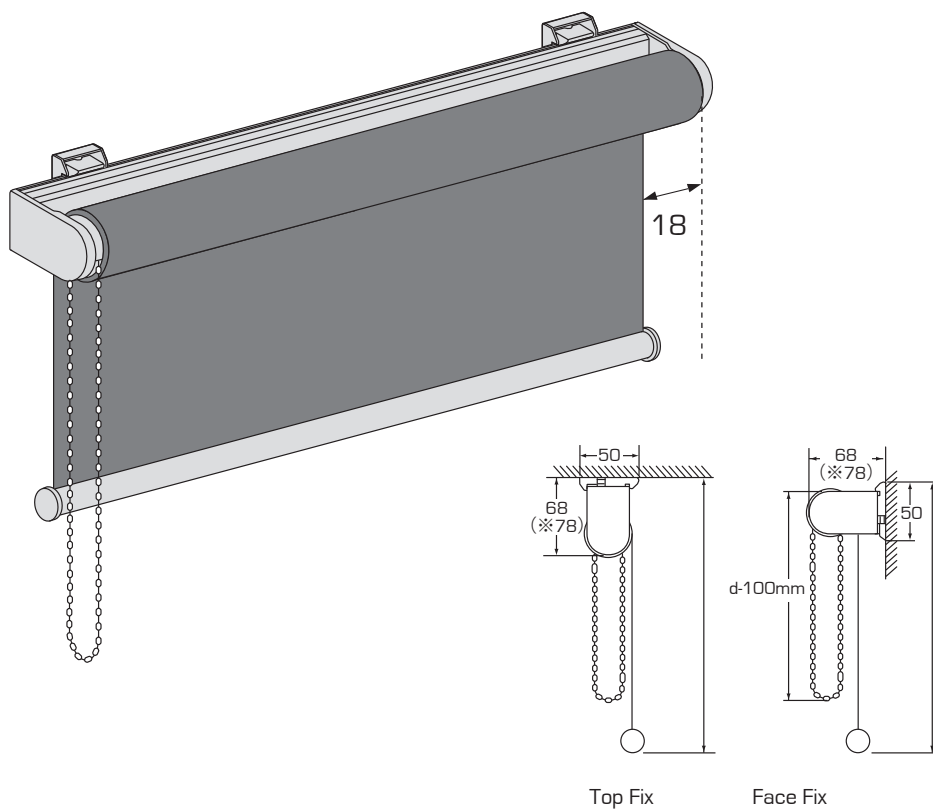
Mode Roller Blind

Optional

Headbox Options	Type	Mode Type 1	Mode Type 2
Material		Extruded Aluminium Alloy [T5 Temper]	Extruded Aluminium Alloy [T5 Temper]
Dimensions		84mm	108mm
Colours		White and Clear Anodised	White and Clear Anodised

System Diagrams

Mode Roller Blind System



Visit Verosol Price List for more system diagrams