

## Ambience Heavy Duty Multi-Link Roller Blind

### Product Information

**Ambience Heavy Duty Multi-Link Roller Blind** is perfect for operating multiple blinds for larger window spans with a single chain, eliminating unsightly cords. Resulting in better light control, greater privacy, uninterrupted views, and indoor/outdoor accessibility.

Suitable for both commercial and residential use.

Verosol's Ambience Heavy Duty Multi-Link Roller System can be easily upgraded from chain to motorised at any time.

### Further Information

To find out more information phone Verosol Customer Care on 1800 721 404 or visit [www.verosol.com.au](http://www.verosol.com.au)



### Technical Information

<b>Product Code</b>	R202.3	
<b>Product Name</b>	Ambience Heavy Duty Multi-Link Roller Blind	
<b>Operation</b>	Stainless Steel Chain Operation	
<b>Dimensions</b>	Width	600mm minimum - 3000mm maximum
	Drop	600mm minimum - 3000mm maximum
	Spring Assist	1200mm minimum width
	Maximum Area	24m <sup>2</sup> over 3 sections
<b>Roller Tube</b>	Standard	60mm is standard size for all Heavy Duty Roller Blinds
	Optional	80mm tube diameter is also available
<b>Base Rail</b>	Standard	Heavy Duty Base Rail
	Optional	Flat [11mm x 22mm], Round [22mm], Verosol [17mm x 28mm] or Elliptical [11mm x 22mm]
	Colours	Paint: White, Black and Barley Anodised: Clear
<b>Control</b>	Mechanism	Direct action, high tensile steel spring which operated in such a way that it only applies the precise braking power necessary to keep the blind in the desired position.
	Idler	Extendable pin idler-end for easy installation. The idler-end extends up to 10mm in increments of 1mm for improved installation.
	Colours	Paint: White, Black and Barley Anodised: Clear
	Chain	PVC, Nickel Plated Steel or Stainless Steel
<b>Brackets</b>	Material	Press formed steel, pre-treated and powder coated
	Colours	White, Black, Barley and Silver Grey

Turn over for motorisation and optional extras

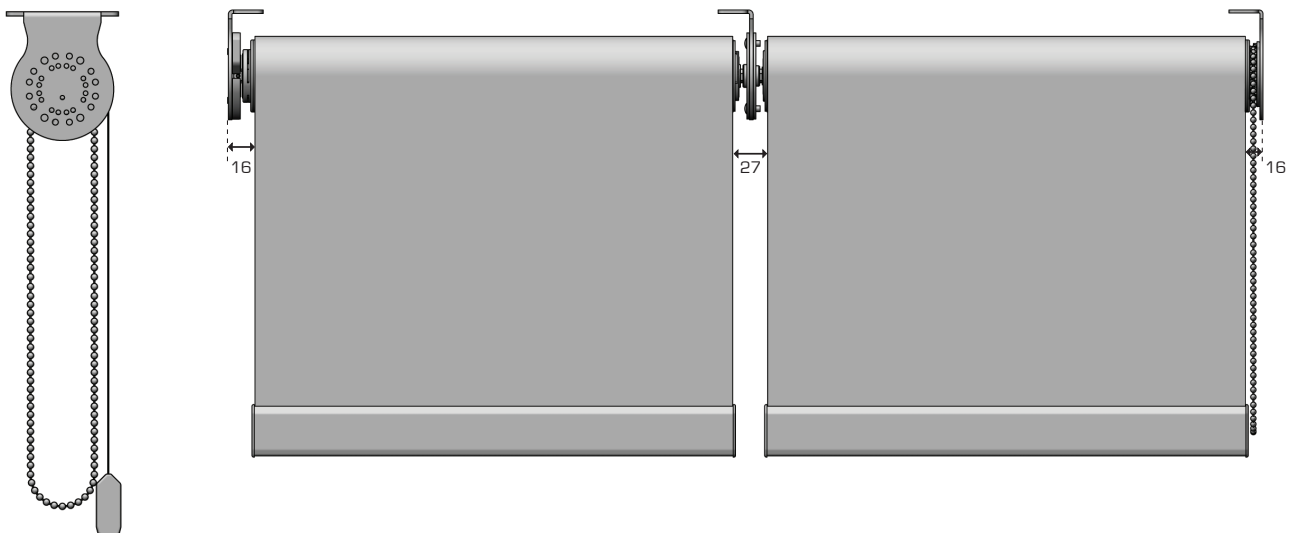
# Ambience Heavy Duty Multi-Link Roller Blind

## Motorisation

<b>Product Code</b>	R202.7	
<b>Product Name</b>	Ambience Heavy Duty Multi-Link Roller Blind	
<b>Operation</b>	240V AC Motorised	
<b>Dimensions</b>	Width	850mm minimum - 3000mm maximum
	Drop	600mm minimum - 3000mm maximum
	Maximum Area	40m <sup>2</sup> over 4 sections
<b>Roller Tube</b>	Standard	60mm
	Optional	80mm tube diameter is also available
<b>More Information</b>	Refer to "8.0 Motorisation" in your Verosol Price List for more information	

## System Diagrams

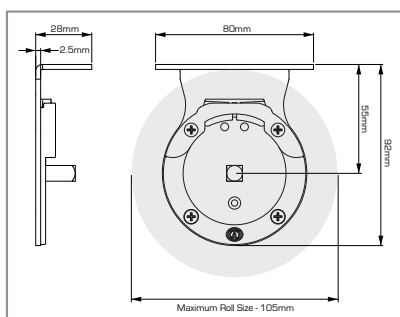
### Ambience Heavy Duty Multi-Link Roller Blind System



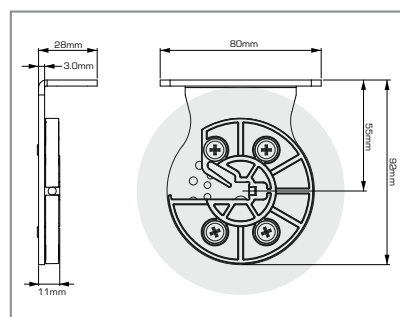
## Heavy Duty Brackets

Available in White and Black only

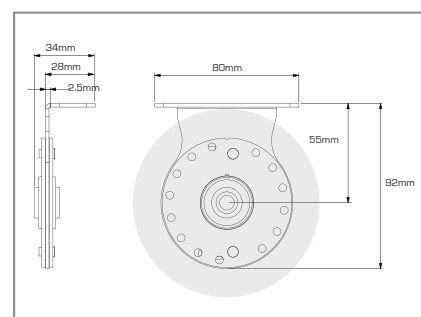
### Chain Drive Bracket



### Idle End Bracket



### Intermediate Bracket



Visit Verosol Price List for more system diagrams