

INT - 2.02 HM 50 95 / 60 95 / 65 95

INTERNAL AUTOMATED ROLLER SYSTEMS

HELIOSCREEN MOTORISED WITH HEADBOX

APPLICATION HM 50 95 / 60 95 / 65 95

The internal Helioscreen motorised systems with a headbox, HM50 95/60 95/65 95, are the ideal solution for small to large windows in both domestic and commercial applications. Effortlessly installed into recesses and pelmets, or stand alone, it provides a streamlined aesthetic look in any interior. Easily integrated into home automation systems, it offers you a multitude of linking solutions to accommodate all your requirements. The HM 50 95 / 60 95 / 65 95 carry Helioscreen's 5 year warranty.

SYSTEM SPECIFICATIONS HM 50 95 / 60 95 / 65 95

	50 00	60 00	65 00
MINIMUM WIDTH	700mm	700mm	700mm
MAXIMUM WIDTH	2600mm	3200mm	3400mm
MAXIMUM DROP	2600mm	3200mm	3200mm
LINKABLE	Yes up to 3	Yes up to 3	Yes up to 3

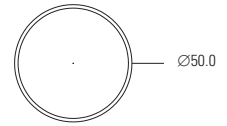
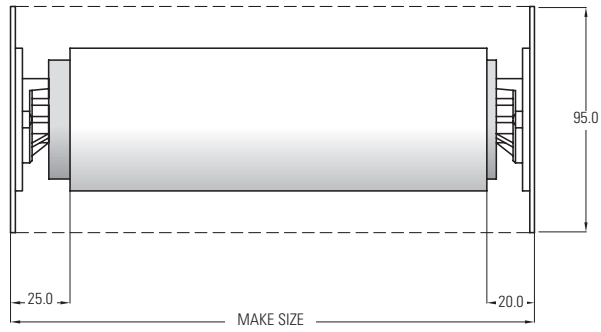
TECHNICAL INFORMATION HM 50 95 / 60 95 / 65 95

BRACKETS	<ul style="list-style-type: none">• 95mm 3 piece extruded aluminium headbox• Universal fixing points• Colour powder coating necessary
CONTROL	<ul style="list-style-type: none">• Motor by Somfy – Remote controlled, wall switch or through a building management system (Cbus)• Single Channel or 4 channel remotes available
TUBE	<ul style="list-style-type: none">• 100% extruded aluminium• HM 50 95 – 50 mm tube 1.6mm thickness• HM 60 95 – 60 mm tube 1.94mm thickness• HM 65 95 – 65 mm tube 2.0mm thickness
BASE BAR	<ul style="list-style-type: none">• 22mm round aluminium base bar. Standard colours: black, old pewter, oyster grey, special white, clear anodised, rivergum and special off white• 13 x 33mm Premium aluminium base bar. Standard colours: white, black, rivergum and anodised• Optional Helio Rectangular base bar – must be powder coated or anodised.
LINKABLE	<ul style="list-style-type: none">• Linkable up to 5 blinds. For links over 3 please contact Helioscreen. No additional charge to link.

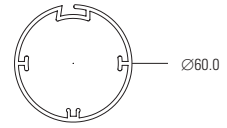
INTELLIGENT
SUN CONTROL
SOLUTIONS®

INT - 2.02 HM 50 95 / 60 95 / 65 95

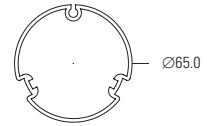
2D DIAGRAM HM 50 95 / 60 95 / 65 95



TUBE 50mm

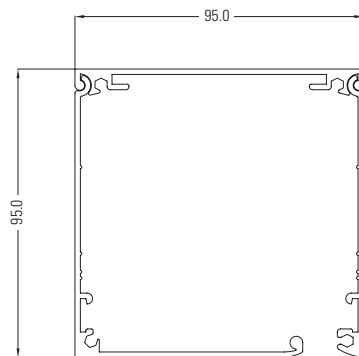


TUBE 60mm



TUBE 65mm

COMPONENTRY HM 50 95 / 60 95 / 65 95



BASE BAR HM 50 95 / 60 95 / 65 95

22mm ROUND



PREMIUM 33mm



HELIO

